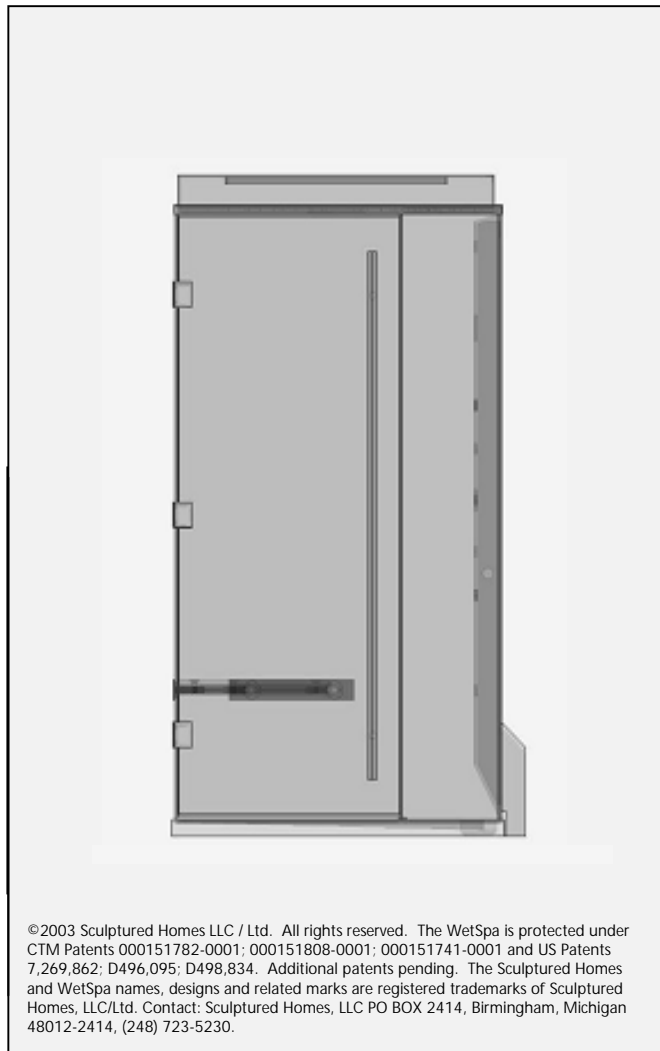




SIMPLIFY 3x4 WETSPA® INSTALLATION



© 2003 Sculptured Homes LLC / Ltd. All rights reserved. The WetSpa is protected under CTM Patents 000151782-0001; 000151808-0001; 000151741-0001 and US Patents 7,269,862; D496,095; D498,834. Additional patents pending. The Sculptured Homes and WetSpa names, designs and related marks are registered trademarks of Sculptured Homes, LLC/Ltd. Contact: Sculptured Homes, LLC PO BOX 2414, Birmingham, Michigan 48012-2414, (248) 723-5230.

WELCOME to the WetSpa by Sculptured Homes®. You have chosen a luxurious patented product that has been manufactured with quality materials and trusted workmanship.

Your WetSpa will provide years of beauty, pleasure and service provided that it is properly installed, cared for, and regularly maintained. Therefore, please follow the installation and care and maintenance instructions carefully.

Contact your sales representative if you require any additional assistance. Every part must be installed according to the installation instructions provided.

Improper installation may void the WetSpa Warranty. Improper installation of parts supplied by other manufacturers may also void their warranties.

The WetSpa is designed for professional installation by qualified general contractors, plumbers, and electricians. Consult your local building authorities to secure any necessary building permits and to ensure that the installation of the WetSpa complies with local and/or national codes and ordinances.

Consult your architect or builder prior to installation of the WetSpa to establish what additional structural support may be required.

IMPORTANT! DO NOT DISCARD ANY DOCUMENTATION. ALL DOCUMENTATION PROVIDED (INCLUDING THIS BOOKLET) MUST BE GIVEN TO THE HOME OWNER FOR FUTURE USE.

WARNING!

Elderly persons, pregnant women, or those suffering from heart disease, high blood pressure, diabetes, or who are otherwise not in good health, should NOT use the steam bathing device unless directed to do so by a physician. Steam bathing should also be avoided while intoxicated.

INSTALLATION REQUIREMENTS:

- The Sculptured Homes WetSpa requires a dedicated 208v / 240v line (depending on local utility line voltage) for the steam generator and a dedicated 120v line for the fiber optic illuminator.
- One hot and two cold water feeds are required.
- Identify a site to house the steam generator prior to installation in accordance with the enclosed steam generator installation instructions. The steam line should not exceed 25ft (7.5m) and must be insulated if over 10ft (3m).
- **WARNING!** DO NOT install the steam generator outdoors, in a moist, humid area, or in an area where parts may freeze or corrode. DO NOT install near flammable materials such as paints, thinners, gasoline, etc.
- **WARNING!** The steam line and safety valve reach a temperature of 212°F during operation and should be appropriately protected to prevent personal injury by accidental contact.
- Once the WetSpa is installed there will be approximately 10ft (3m) of fiber optic cable remaining to reach the illuminator. Determine the location of the fiber optic illuminator accordingly. The illuminator should be mounted either vertically on a wall or flat on a firm horizontal surface. Allow a minimum 24" (60cm) clearance on either side to provide adequate ventilation and easy access to the halogen bulb. This product is U/L listed for damp locations.
- An audio network or stereo sound system is required in order to utilize the pre-wired stereo speaker included with the WetSpa.
- Consult your plumber to determine the appropriate sized hot water tank based on your particular usage.

PREPARING THE INSTALLATION LOCATION:

- Consult your architect or builder prior to installation to ensure that structural support for the WetSpa is adequate. Follow their

recommendations. Refer to pages 5-6 of this Installation booklet for critical technical information.)

- The Simplify WetSpa can be installed away from existing walls or against one or more existing walls. If you plan to install the WetSpa away from existing walls, Sculptured Homes recommends a minimum of 12" (30cm) from the edge of the WetSpa floor system to the nearest wall.

PREPARATION OF SPECIFIC PARTS:

- The glass is shipped with a temporary protective plastic film on all surfaces. It is best to leave this protective film on the glass, peeling back or removing it from the surface areas required for installation as and when necessary.
- The glass must be free of any film or greasy residue to get a tight seal. Use denatured alcohol to clean the front, back and edges of the glass prior to application of the silicone sealant, or before hardware is attached to the glass. This will promote adhesion.
- The patented design of the WetSpa floor system allows it to be tiled, to achieve a seamless, integrated appearance with the surrounding floor in the room. If you intend to tile the top of the floor system, then use tiles no greater than 3" (7.5cm) square in order to preserve the drainage pitch. A 1" (2.5cm) square tile is highly recommended.
- You must use an epoxy tile adhesive and follow the adhesive instructions carefully when applying tile to the top of the floor system. Cure times are very quick with epoxy based adhesives and mistakes are impossible to correct. Sculptured Homes will NOT replace nor be held liable for damages to the floor system resulting from mistakes made during the tiling of the unit.
- Seal the tile with a sealant suitable for steam applications before using the WetSpa.
- Tile can be applied to the floor system before installation as long as adequate time is given for the grout and sealant to cure.

WARNING!

The Sculptured Homes WetSpa is designed to be installed in one of two ways: 1) flush with the floor or 2) above the floor surface. Additional structural support may be required depending on the existing structural support of the location and the installation option that you choose. Consult and follow the advice of your architect and/or builder.

CARE AND MAINTENANCE GUIDELINES:

Owning the WetSpa should provide years of enjoyment. Your regular care and maintenance of the WetSpa will keep it functioning properly while retaining its aesthetic beauty.

HARDWARE, FIXTURES, & FITTINGS:

The finish on the hardware, fixtures and fittings, if given the proper care, will remain as beautiful as they are now. Neglecting or ignoring the basic rules of maintenance will harm the finish on the hardware, fixtures and fittings.

- Drying the hardware with a clean, soft towel on a daily basis is the best way to maintain the hardware. If mineral deposits build-up, mix a couple of drops of a mild liquid soap into a cup of warm water. Using a soft, non-abrasive cloth, clean the hardware. Rinse thoroughly with clean, warm water and dry.

- **WARNING!** Never use an abrasive cleanser of any kind on the hardware. Many of the components are coated with a clear lacquer that will be irreparably damaged if subjected to harsh, abrasive chemicals or scrubbing devices.

Hinges are greased at the factory for quiet and trouble free operation. If there is any squeaking that occurs after installation, put a drop of "3 in 1 Oil" (also known as household oil) on the white nylon washer upon which the hinge body pivots. This washer is the component that acts as a buffer, so that the body of the hinge doesn't pivot directly on the brass center block. This solution doesn't require the disassembly of the hinge.

- **WARNING!** Do NOT spray lubricant on the hinges. If the hinge has been disassembled, upon re-assembly, use white lithium grease to lubricate the interior mechanism.

Shower fixture components used in the WetSpa have been designed by leading manufacturers in the industry. Please review the documentation provided by these manufacturers and follow the recommended installation, care and maintenance procedures.

HOW TO CARE FOR GLASS:

Glass that is neglected or ignored, will accumulate water spots which will eventually turn into mineral deposits.

- The best way to keep the glass free of potentially damaging water spots is to squeegee the glass after every use. Ideally, squeegee the glass on a daily basis. It will prove to be a minimal investment in time and will save a great deal of cleaning effort later.

- Using a Transparent Polymer Coating (TPC) Surface Protector to protect the glass will help make the surface water, soil and stain resistant. The clear coating guards against the adhesion and build-up of dirt, grime, soap scum, rust and mineral deposits.

- **IMPORTANT!** A TPC Surface Protector can help to repel water off of the glass, but is not intended to replace the use of a squeegee.

HOW TO CARE FOR THE WETSPA FLOOR SYSTEM:

The Sculptured Homes patented floor system is made from a highly durable solid surface composite. Use a mild soap and Teflon safe scrubbing pad to keep the surface clean and free from a build-up of dirt, grime, soap scum, rust and mineral deposits.

- If the floor system should become marked or scratched, simply take a piece of extra fine buffing pad and hand buff out the mark or scratch until the surface is restored to its original look.

- **WARNING!** If you tile the surface of the WetSpa floor system, then you must care for the tile according to the tile manufacturer's recommendations. This includes sealing the tile and grout with a proper sealer and maintaining that seal over the life of the product.

REMINDER:

Take time to familiarize yourself with the documentation provided. Your WetSpa will provide years of beauty, pleasure and service provided that it is properly installed, cared for, and regularly maintained.

PRODUCT TERMS AND CONDITIONS:

Warranty

Sculptured Homes warrants for a period of one year that the product will be free from manufacturing defects. This warranty does not cover damage caused to the goods during shipment, or by improper care, installation techniques, modifications, physical force or other abuse and does not cover any related labor charges, removal and reinstallation expense, freight or postage. This warranty does not cover parts warranted by other Manufacturers used in conjunction with the goods. Sculptured Homes shall only be responsible for repairing or replacing any part or parts that do not comply with this Warranty, as determined by Sculptured Homes. Sculptured Homes' total liability under this Warranty will not exceed the purchase price for the goods and will not include consequential damages.

Warranty Claims

Warranty claims must be made in writing to Sculptured Homes, LLC, PO BOX 2414, Birmingham, MI 48012-2414, USA. Please include original Sculptured Homes Sales Order or Invoice number, date of purchase, item description and description of claim. Defective parts must be returned in their original crating. New Sculptured Homes boxes and crates may be ordered (at a charge) for safe return if the original box is unavailable.

Missing Parts

Claims for missing parts must be made in writing to Sculptured Homes within five (5) days of receipt of shipment.

Freight Claims

Claims for freight damage must be made with the carrier. Inspect shipment on receipt, and note damage to cartons or crates. Request inspection by the carrier within the time limit set by the carrier. Follow the carrier's procedure to process the claim.

Returns

Sculptured Homes' products are manufactured to customer order due to their custom nature. Consequently, product is non returnable and non refundable. Please order carefully. All sales are final and cannot be changed.

Prices

Sculptured Homes reserves the right to change prices without notice at any time prior to order confirmation. Prices shown are retail prices and exclude Freight and Crating, which are Net. Additional charges may exist and are referred to as: delivery, insurance, export documentation, duty, tariff and handling and storage. All prices shown are F.O.B. Sculptured Homes, LLC/LTD location of choice.

IMPORTANT:

Consult the enclosed steam and shower fixture literature for additional warnings, cautions, installation instructions and care and maintenance instructions that relate to components sourced from these manufacturers. Improper installation, care or maintenance may void one or more warranties.

CRITICAL TECHNICAL INFORMATION:

Simplify installation options

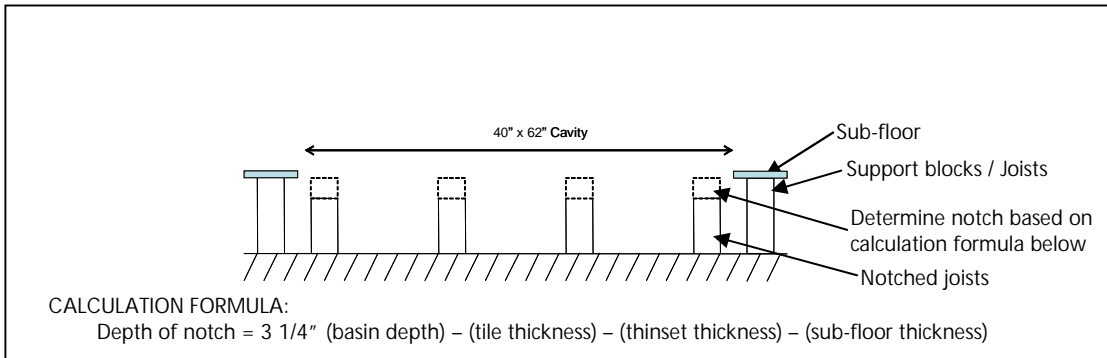
The Simplify model of WetSpa can be inset to be level with the existing floor or set on top of the existing floor. It can also be installed remote from existing walls or immediately adjacent to one wall, in a corner or in an alcove. When installing adjacent to an existing wall, corner or in an alcove, please ensure that the glass panels on the sides to be integrated are sealed and moisture proof against the existing adjacent wall(s) of the room.

Simplify 3' x 4' Dimensions & Weight

	Dimensions	Weight
Standalone inset	- 51 1/4" (l) x 36" (w) x 87 1/2" (h) -	999 lbs.
Standalone on top	- 51 1/4" (l) x 36" (w) x 90 3/4" (h) -	999 lbs.

FOR ILLUSTRATIVE PURPOSES ONLY:

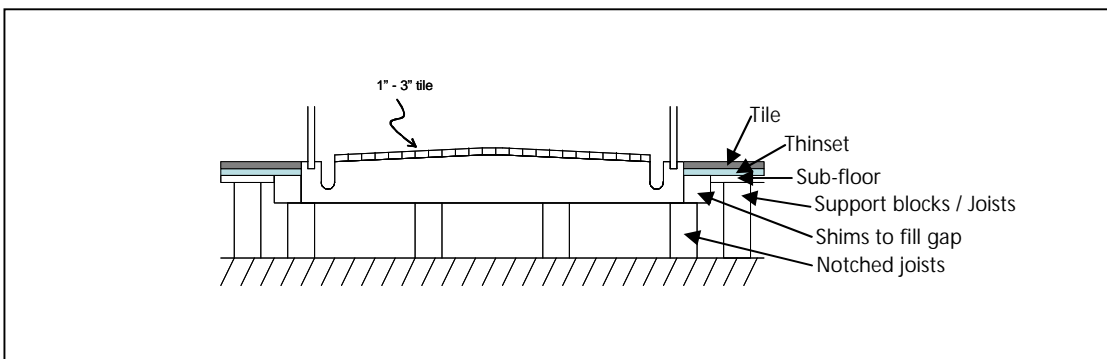
Side view to inset the 3' x 4' Floor System



CONSULT AND FOLLOW THE ADVICE OF YOUR ARCHITECT AND/OR BUILDER BEFORE NOTCHING OUT JOISTS OR INSETTING THE FLOOR SYSTEM.

FOR ILLUSTRATIVE PURPOSES ONLY:

"Finished" Side view to inset the 3' x 4' Floor System



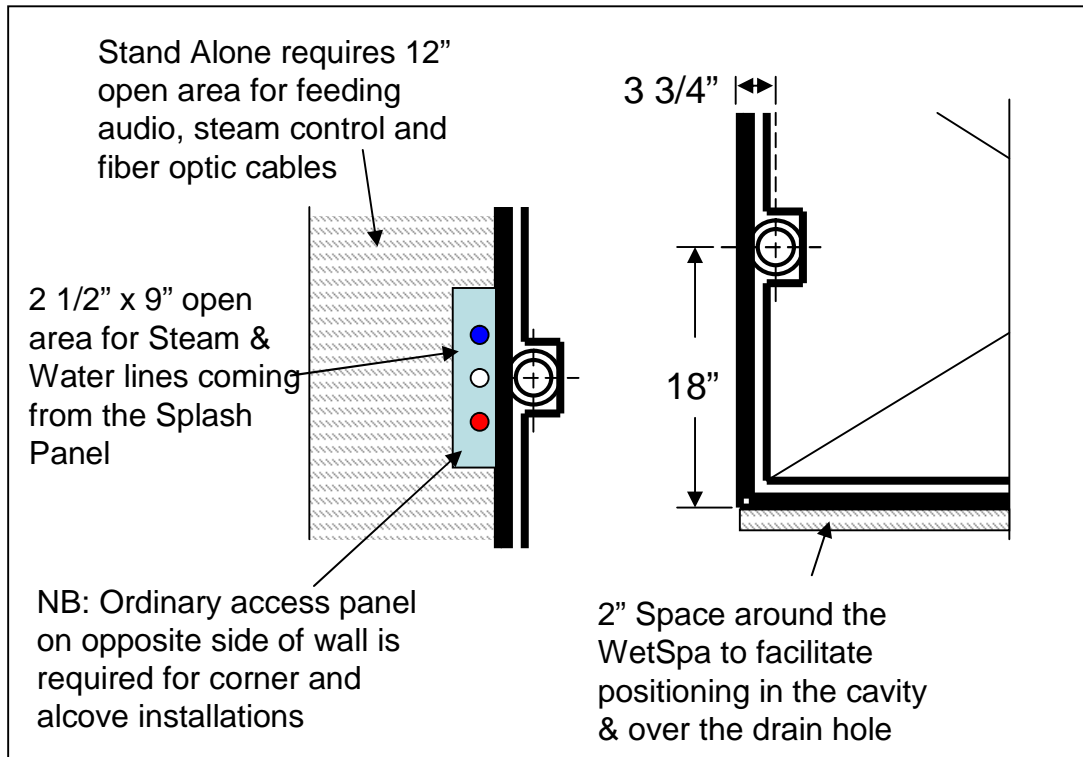
CAUTION:

The WetSpa is designed for professional installation by qualified general contractors, plumbers, and electricians. Secure the proper permits and consult your local building authorities to ensure that the installation of the WetSpa complies with local and/or national codes and ordinances.

CRITICAL TECHNICAL INFORMATION (cont'd.):

NOTE: Leave sufficient space along the drain side for connecting the plumbing and running the various cables. Do NOT finish off this area until installation of the WetSpa is completed.

Critical dimensions for centering the floor system drain:



Plumbing

- 2" standard PVC shower stall drain
- Source 1 hot and 1 cold at floor level for hook-up to the Splash Panel or inside wet wall with access panel for corner or alcove installations; 1 cold water feed for hook-up to the Steam generator.
- Flow rate: up to 17.5gpm depending on configuration
- Water pressure: 14.5 – 72.5psi.
- Pre-plumbed pressure tested plumbing manifold terminates with 3/4" Type L copper pipe for the hot and cold feeds and 3/4" or 1/2" for the steam feed per manufacturer's specification.

Electrical

- Steam generator: 208v / 240v depending on local utility line voltage; plug & receptacle require a rating of no less than 250V and proper amperage. Refer to the chart in the steam generator & control instructions. Steam line should not exceed 25ft (7.5m) and must be insulated if over 10ft (3m).
- Fiber-optic illuminator: 120v; located up to 10ft (7.5m) from the WetSpa.

CAUTION:

The WetSpa is designed for professional installation by qualified general contractors, plumbers, and electricians. Secure the proper permits and consult your local building authorities to ensure that the installation of the WetSpa complies with local and/or national codes and ordinances.

TOOLS AND MATERIALS:

- two (2) 8" suction cups, pump action for flat surfaces. 125lb (56kg) capacity; 4:1 safety factor
- hot glue gun and 1 all purpose quick dry glue stick
- 3mm (7/64") hex key (for caps & door pulls)
- 15/16" wrench (for locknuts)
- 3/8" hex key (for seat bolts)
- 4mm (5/32") hex key (for seat cover plate screws)
- 1/8" square screwdriver (for screws on splash panel back)
- flat blade screwdriver
- Phillips head screwdriver
- small level (approx. 6" – 8" long)
- 2 saw horses
- caulking gun
- high bond double sided clear tape
- wood shims
- razor blades
- 2 bottles denatured alcohol
- 6 rolls paper towel
- 1 doz. soft cloths
- bottle of mild dish soap
- 1 12' x 12' tarp
- 1 pair scissors
- 1 roll 2" blue painter's tape
- 2 metal, gangable switch boxes (for exterior steam timer control)
- wall and/or dimmer switches and switch box suitable for desired external control of WetSpa fiber-optic lighting

FIBER-OPTIC LIGHT SWITCH

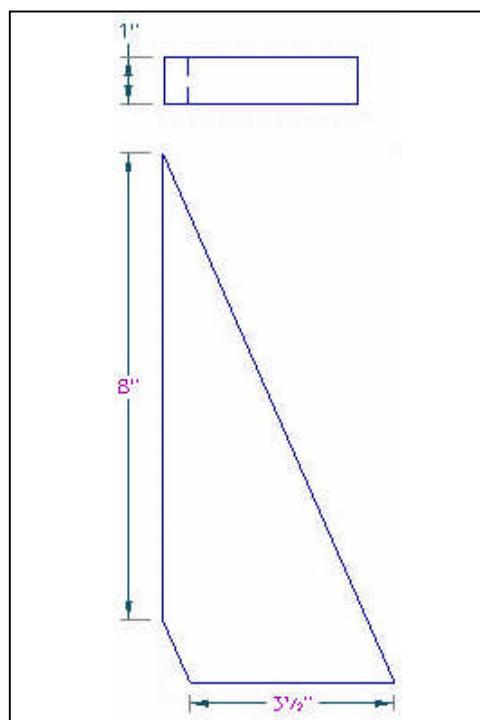
The fiber optic illuminator provided requires a hard wire connection. The illuminator can be attached to wall and dimmer switches (not provided). You will need to select the location and parts for the switches which should be installed by a qualified electrician.

- A standard rheostat electronic dimmer is required.

PLYWOOD TRIANGLE "SETTING BLOCKS"

- We recommend using Plywood triangles (not provided) to hold the corners on the splash panel side of the WetSpa in place during the assembly process.

Cut 6 triangles from 1" plywood to the following dimensions:



STEAM CONTROL PANELS

The WetSpa includes a Temperature Control panel mounted inside the WetSpa on the Splash Panel as instructed. The WetSpa may also include a Timer Control panel which must be mounted outside the WetSpa.

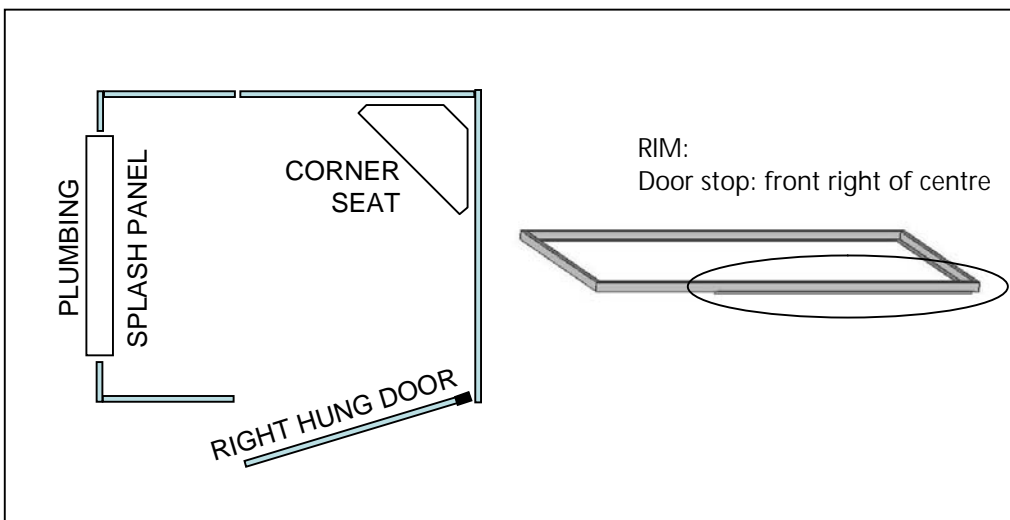
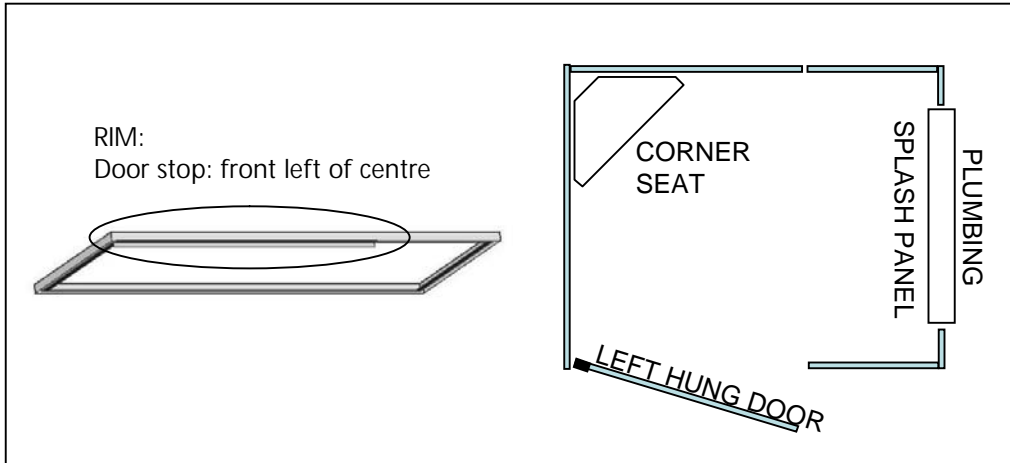
You will need to select a convenient location and prepare the space for the Timer Control Panel if included with the unit. Please follow the steam manufacturer's installation requirements.

IMPORTANT!

Do not discard any documentation. All documentation provided with the WetSpa (including this booklet) must be given to the home owner for future use.

IMPORTANT! CONFIRM LEFT OR RIGHT HUNG DOOR SELECTION

Please check the position of the door-stop on the rim, prior to assembly, to confirm that it is a left or right hung door. The door stop is positioned left of center for left hung doors and right of center for right hung doors.



WARNING!

Sculptured Homes will NOT replace the glass nor be held liable for damages caused by improper care, installation techniques, modifications, physical force or other abuse and does NOT cover any related labor charges, removal and reinstallation expense, freight or postage.

INSTALLATION INSTRUCTIONS FOR LEFT HUNG DOOR CONFIGURATION

NOTE: The following instructions illustrate the assembly of a Simplify 3 x 4 WetSpa with a LEFT hung door. Refer to the diagram on page 8 of this booklet when installing the unit with a right hung door.

STEP 1: INSTALL THE SHOWER DRAIN and WETSPA FLOOR SYSTEM

A standard 2" PVC drain is provided with the WetSpa Floor System. Your qualified plumber will need to purchase a different drain if one is required based on the specific plumbing and/or local codes and ordinances of your specific installation and follow the manufacturer's instructions. If you use the drain provided, then:

1. Apply silicone sealant to the under side of the drain body flange, which will come in contact with the drain hole of the floor system.
2. Position the drain body in the drain hole of the floor system.
3. From the under side of the floor system bottom, slide the flat rubber washer over the threads of the drain body until it is against the bottom of the floor system.
4. Do the same with the flat hard-paper friction washer.
5. Hand tighten the retainer nut while checking once again to be sure that the drain is positioned correctly in the drain hole of the floor system.
6. Tighten the retainer nut to a secure fit. The drain is now part of the floor system.
7. Position the floor system over the drain pipe which has been roughed into the floor/cavity and seal the drain connection as needed.
8. Run some water into the drain and check for leaks.
9. After the leak test is satisfied, attach the strainer in place to complete the installation and tape over strainer to prevent debris from entering the drain.

STEP 2: INSERT THE L-SHAPED GASKET INTO THE PERIMETER GLASS CHANNEL

The L-shaped dry-glaze gasket packaged with the floor system has been pre-cut at the factory. Check that the pieces are correctly positioned in the perimeter glass channel of the floor system:

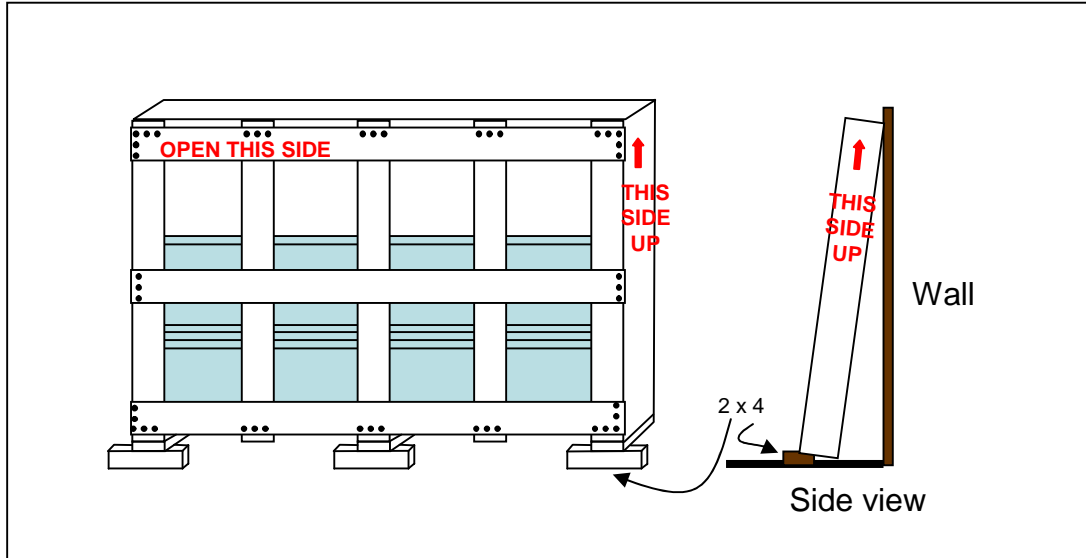
1. The gasket should be inserted so that the vertical part of the L-shaped gasket faces the exterior of the basin.
2. There should be a 32 ½" gap (no dry-glaze) at the doorway where the threshold will be installed later.
3. There should be a 24 ½" gap (no dry-glaze) on center where the splash panel will be installed later.
4. WetSpas that incorporate a GLASS WET WALL PANEL instead of the splash panel should have the gasket in the perimeter channel (refer to p. 26).
5. Run a THIN bead of silicone in the perimeter glass channel of the floor system before placing the dry-glaze into the channel.
6. Press the dry-glaze firmly in place allowing the silicone to form a thin seal.
7. Apply a small amount of silicone to seal the mitered corners of the dry-glaze

WARNING!

Sculptured Homes will NOT replace components of the WetSpa nor be held liable for damages caused by improper care, installation techniques, modifications, physical force or other abuse and does NOT cover any related labor charges, removal and reinstallation expense, freight or postage.

STEP 3: OPENING THE GLASS CRATE:

CAUTION! The glass will tumble out of the crate if the crate hasn't been securely positioned to prevent it from leaning forward while being opened.



1. Lean the crate against a wall with the "Open this Side" facing you.
2. Place a 2 x 4 under the legs of the crate to prevent it from falling forward.
3. Carefully remove the screws on the face of the crate; maintaining pressure to keep the crate leaning back against the wall.
4. Remove the pieces as required, beginning with the 5 1/2" x 84" and the 13 3/4" x 84" splash end corner panels.

SIMPLIFY 3 x 4 GLASS INVENTORY (WITH SEAT UPGRADE):

- 2 – 5 1/2" x 84" PANEL (SPLASH END CORNER)
- 2 – 13 3/4" x 84" PANEL (SPLASH END CORNER)
- 1 – 32" x 81 5/8" STANDARD DOOR
- 1 – 32 3/8" x 84" PANEL (SEAT END CORNER – BACK WALL)
- 1 – 35 1/8" x 84" PANEL (SEAT END CORNER – SIDE WALL)
- 1 – 35 1/8" x 84" GLASS WET WALL (WHEN ORDERED IN LIEU OF THE SPLASH PANEL)
- 1 – CORNER SEAT (WHEN ORDERED AS AN UPGRADE).

WARNING!

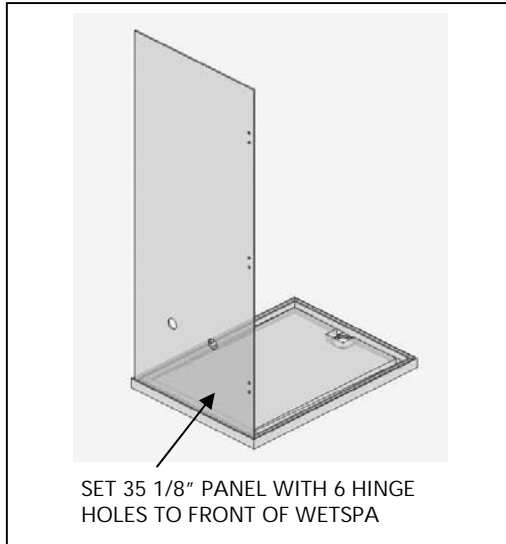
Sculptured Homes will NOT replace the glass nor be held liable for damages caused by improper care, installation techniques, modifications, physical force or other abuse and does NOT cover any related labor charges, removal and reinstallation expense, freight or postage.

STEP 4: ERECT AND ALIGN THE GLASS IN PREPARATION FOR SEALING

NOTE: Please refer to p. 25 for installation against a wall, in a corner or in an alcove.

CAUTION! Care must be taken to install the glass panels exactly as shown in these directions. Glass panels are not always symmetrical. Pay close attention to directions on how to butt corner panels and the position of holes. ALL ILLUSTRATIONS ARE FOR A LEFT HUNG DOOR. REVERSE FOR RIGHT HUNG INSTALLATIONS.

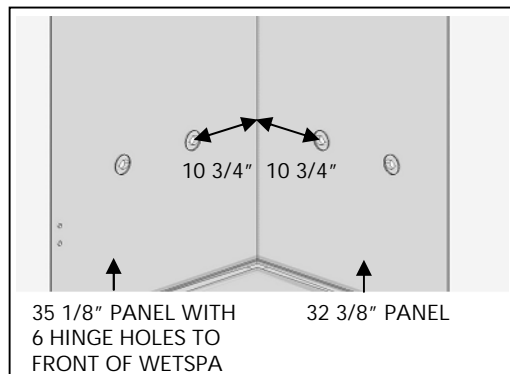
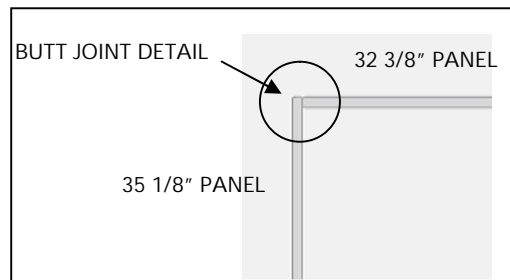
STEP 4A: ERECT THE SEAT CORNER AND INSTALL THE SEAT POLES



SET UP THE GLASS

1. Clean the 35 1/8" x 84" PANEL of glass and the 32 3/8" x 84" PANEL of glass with denatured alcohol.
2. Run a THIN bead of silicone on top of the dry glaze and Insert the 35 1/8" PANEL of glass in the 36" side of the floor system opposite what will be the wet wall of the WetSpa.
3. Use the dry-glaze to center the glass in the channel.
4. When facing the 35 1/8" PANEL from inside the WetSpa, ensure the edge of the panel is pushed up against the dry-glaze on the 48" rear side of the floor system, and the six smaller holes for the door hinges are facing the front of the WetSpa.
5. Hold the 35 1/8" PANEL in position whilst the adjoining 32 3/8" PANEL and seat poles are installed.

7. Run a THIN bead of silicone on top of the dry glaze and insert the 32 3/8" PANEL of glass in the 48" rear side of the floor system.
8. Use the dry-glaze to center the glass in the channel.
9. Butt the 32 3/8" PANEL into the 35 1/8" panel as shown opposite. The WetSpa will eventually be sealed from the inside with a bead of silicone along the inside corner. Consequently, butt the two panes of glass immediately adjacent to each other without leaving a gap.
10. Check that there is 10 3/4" from the INSIDE corner to the center of the closest seat pole hole on each of the 32 3/8" and 35 1/8" panels. This is necessary to install the seat.
11. Hold the 32 3/8" PANEL of glass in position whilst the seat poles are installed.

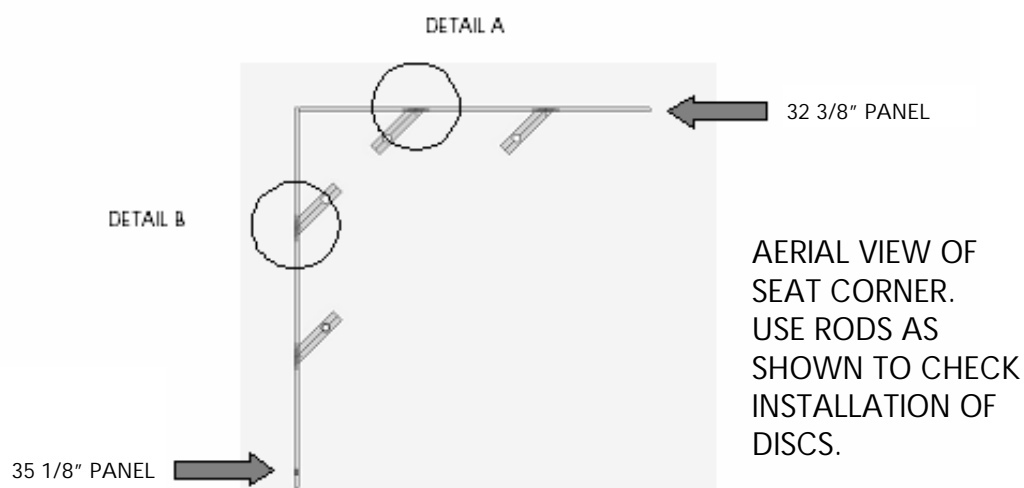


IMPORTANT!

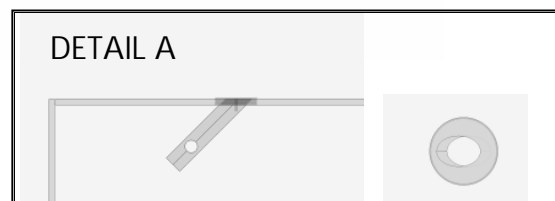
BUTT the 32 3/8" PANEL INTO the 35 1/8" PANEL. Check that there is 10 3/4" from the INSIDE corner to the center of the closest seat pole hole on each of the 32 3/8" and 35 1/8" panels. If this is not the case, one or both panels may be inserted incorrectly. Correct the problem before proceeding.

CHECK THE POSITION OF THE DISCS

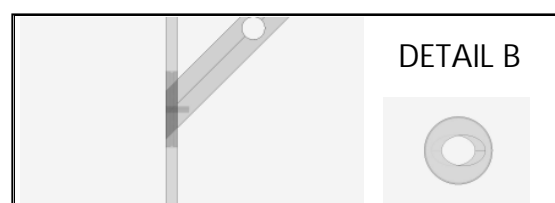
12. Confirm that the discs and o-rings have been pre-installed in the 35 1/8" PANEL and the 32 3/8" PANEL at the factory.
13. Ensure that the discs are facing the correct direction for your installation (NOTE: Diagrams are for a LEFT HUNG DOOR. Reverse for right hung installations)



14. When facing the 32 3/8" back panel from inside the WetSpa, ensure the disc and o-ring are installed with the 45 deg angle in the direction as shown in DETAIL A. Insert rods for confirmation. The ellipse will appear off-center on the discs as shown.



15. When facing the 35 1/8" side panel from inside the WetSpa, ensure the disc and o-ring are installed with the 45 deg angle in the direction as shown in DETAIL B. Insert rods for confirmation. The ellipse will appear off-center on the discs as shown.

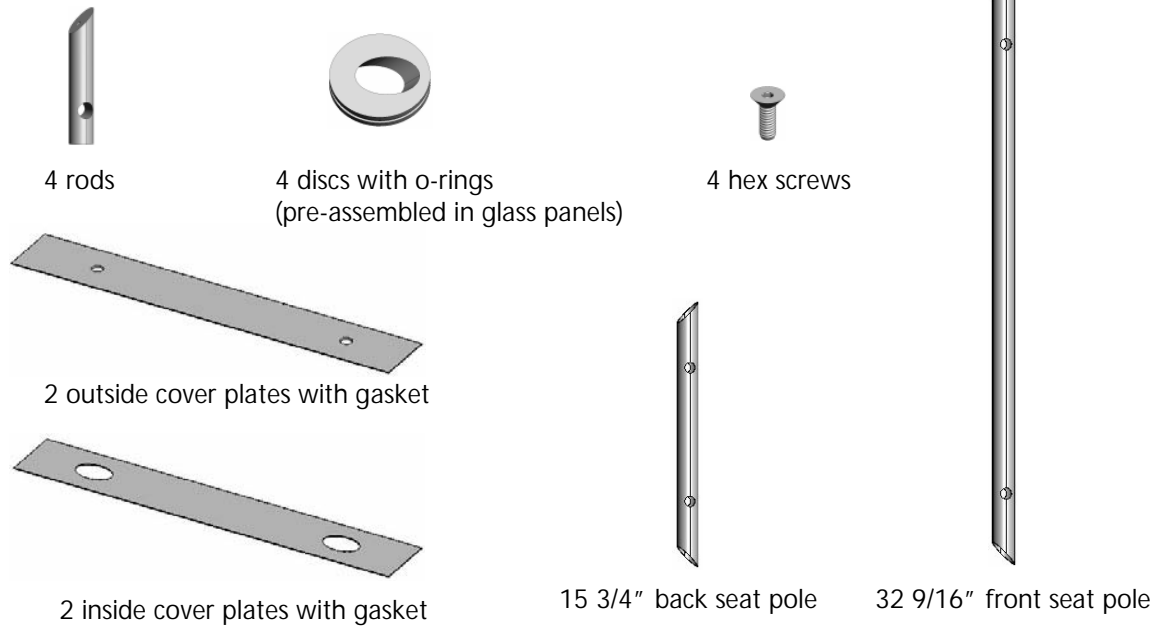


16. From the inside of the unit, apply a THIN bead of silicone where the circumference of the discs meet the glass.

IMPORTANT!

Check the position of the discs and o-rings in the glass before proceeding with the installation of the seat poles. In the unlikely event that they have been pre-installed incorrectly, lay the glass panels on a smooth, scratch-free surface. Gently remove the disc(s) and o-ring(s), lubricate (dish soap) and reinsert.

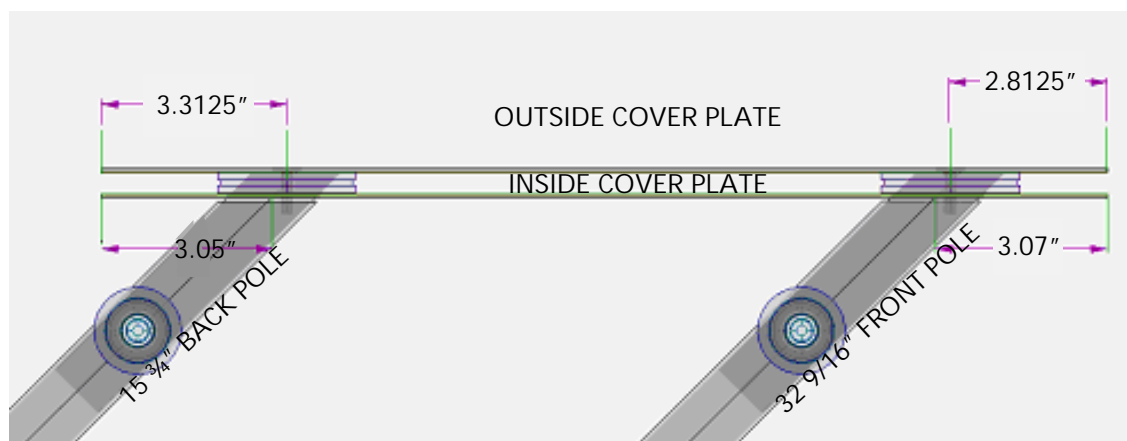
SIMPLIFY 3x4 STAND ALONE SEAT HARDWARE



INSTALL THE INSIDE COVER PLATES

IMPORTANT! Inside cover plates are not symmetrical and must be installed as shown in order to align.

- Measure the inside cover plates to determine which end should be installed closest to the seat corner of the WetSpa (see diagram below).
- Position the inside cover plates over the discs in the 32 3/8" PANEL of glass, making sure that the ellipses in the inside cover plate align with the ellipses in each of the two discs. Use a small level to ensure the inside cover plate will be level.
- Remove the paper from the gasket adhesive on the inside cover plate and apply a THIN bead of silicone onto the gasket adhesive along the edges and around the cut-outs.
- Stick the inside cover plate on to the 32 3/8" PANEL.
- Repeat steps 17 – 20 for the 35 1/8" PANEL.

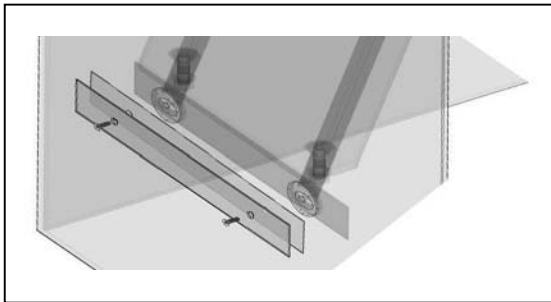
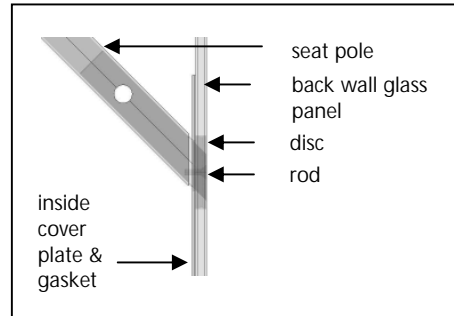


IMPORTANT!

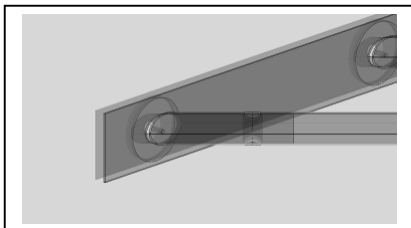
Inside and outside cover plates are not symmetrical and must be installed as follows in order to align:
INSIDE COVER PLATE: 3.05" from end to center of ellipse. Install this side towards the corner / back of seat.
OUTSIDE COVER PLATE: 3.3125" from end to center of countersink. Install this side towards back of seat.

INSTALL THE RODS & POLES

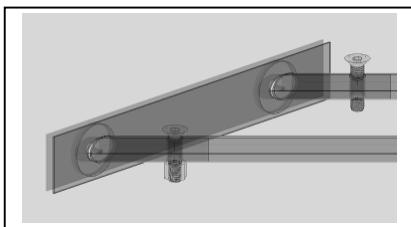
22. Starting with the 15 3/4" BACK SEAT POLE, slide a rod into each end of the pole with the 45 deg cut towards the end of the pole.
23. Install the BACK SEAT POLE in the two holes closest to the seat corner by pulling the rods through the ellipses in the inside cover plates and discs.
24. Turn the rods so that the 45 deg cut lies flush with the outside plane of the 32 3/8" PANEL and the 35 1/8" PANEL.
25. Repeat steps 22 – 24 for the 32 9/16" FRONT SEAT POLE.



26. Attach the outside cover plates and gasket from the outside of the WetSpa. Using the hex screws provided, screw the cover plates into the rods.



27. From inside the WetSpa, align the holes in the seat poles with the holes in the rods.



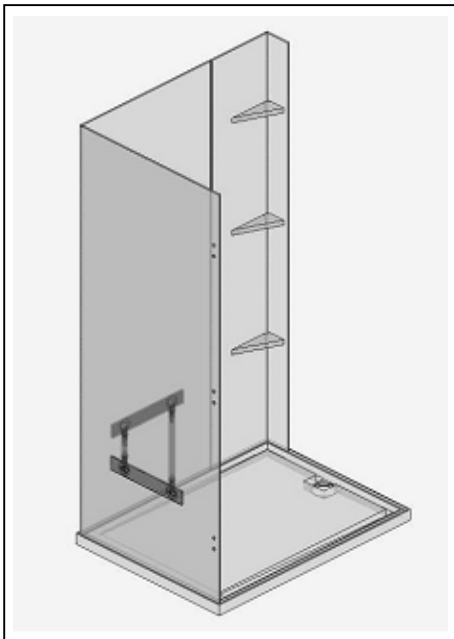
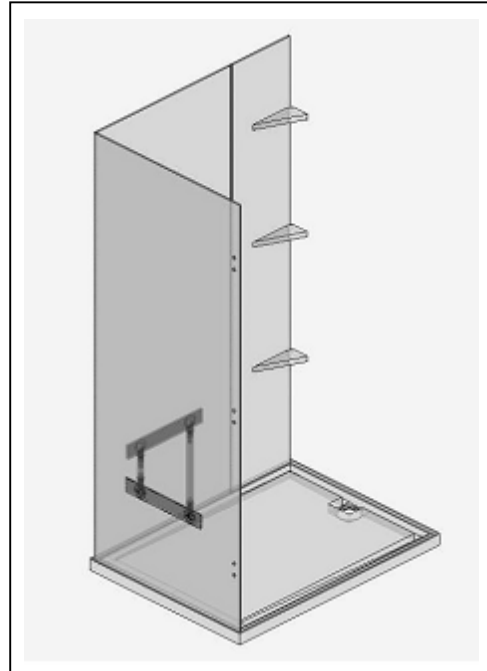
28. Insert hex bolts and nylon core hex nuts to secure the glass corner temporarily.

IMPORTANT!

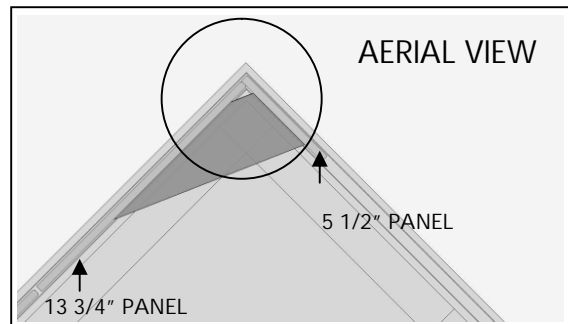
The corner panels must be installed with the discs correctly positioned in the glass and the glass correctly positioned in the floor system. Failure to do so will result in serious installation problems.

STEP 4B: ERECT THE TWO REMAINING CORNERS

1. Clean the 13 3/4" x 84" PANEL of glass and the 5 1/2" x 84" PANEL of glass with denatured alcohol.
2. Apply a THIN bead of silicone on top of the dry glaze and insert one 13 3/4" PANEL into the 48" side of the floor system, to the rear adjacent to the 32 3/8" PANEL.
3. Hot-glue three of six wooden triangles into position with the long side of the triangle against the 13 3/4" PANEL.
4. NOTE: the 13 3/4" PANEL will BUTT INTO the adjacent 5 1/2" PANEL, so hot-glue the triangles with the short side of the triangle FLUSH TO THE SIDE of the 13 3/4" PANEL.



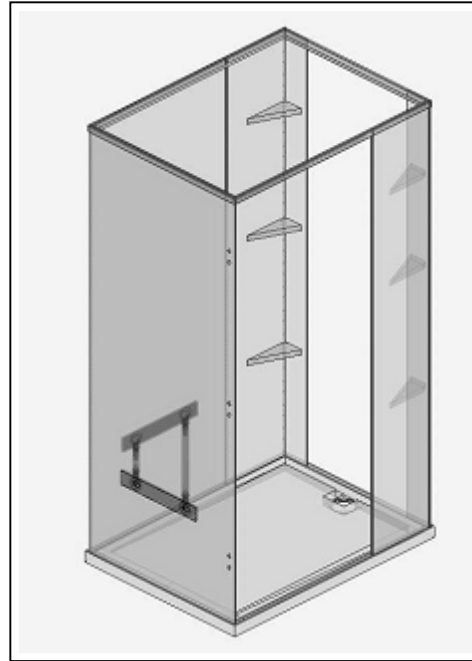
6. Apply a THIN bead of silicone on top of the dry glaze and insert one 5 1/2" PANEL into the 36" side of the floor system.
7. Use the dry-glaze to center the glass in the channel.
8. BUTT the 13 3/4" PANEL INTO the 5 1/2" PANEL as shown below.
9. Hot-glue the 5 1/2" PANEL to the short side of the triangles.



IMPORTANT!

Always BUTT the 13 3/4" width panels INTO the 5 1/2" width panels. It is absolutely critical that the corner panels are assembled as directed. Failure to follow these instructions will result in serious installation problems.

10. Repeat for the remaining corner and set the top rim temporarily in position. Ensure the door stop (attached to the rim) is positioned over the space where the door will eventually hang.

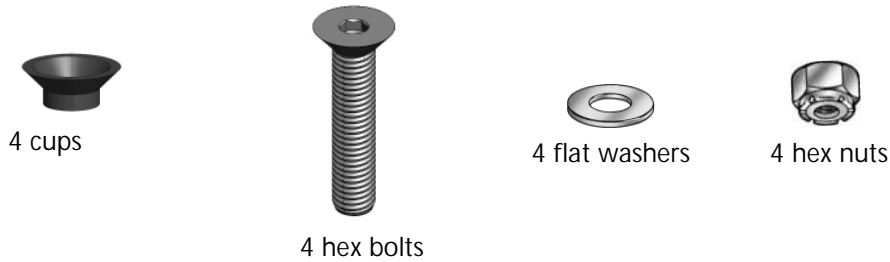


THIS SPACE INTENTIONALLY LEFT BLANK

IMPORTANT!

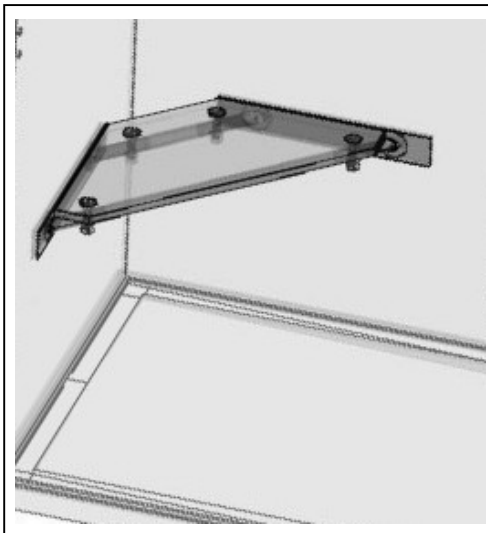
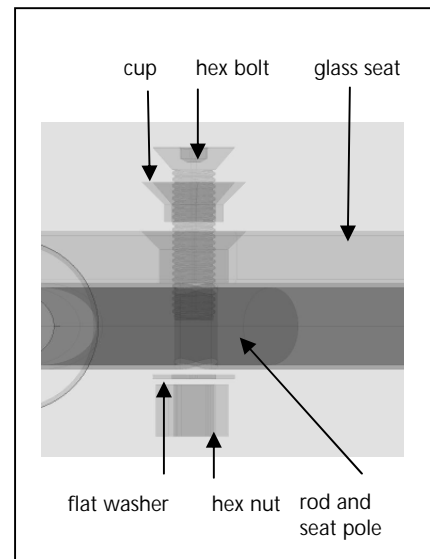
Always BUTT the 13 3/4" width panels INTO the 5 1/2" width panels. It is absolutely critical that the corner panels are assembled as directed. Failure to follow these instructions will result in serious installation problems.

SIMPLIFY 3x4 STAND ALONE SEAT HARDWARE



STEP 5: ATTACH THE SEAT TO THE POLES

1. Remove the hex bolts and nuts that were temporarily installed (see page 14).
2. Using two suction cups, lift the seat and carefully set it on top of the poles; matching the countersink holes to the holes in the back and front poles.
3. Place the black cups into the countersink holes.
4. Insert the bolt.
5. Put the metal washer onto the underside of the bolt.
6. Place the nylon core hex nut onto the underside of the bolt (taper side downward).
7. Insert the 3/8" hex key into the head of the bolt.
8. Using a wrench, hold the nut in place and tighten down the bolt with the 3/8" HEX KEY (provided). DO NOT over-tighten and be careful not to mar the finish of the hardware.
9. Insert the remaining bolts and repeat 5 – 8.



IMPORTANT:

The bolts should be securely fastened, but not over-tightened. Be careful not to mar the finish of the hardware.

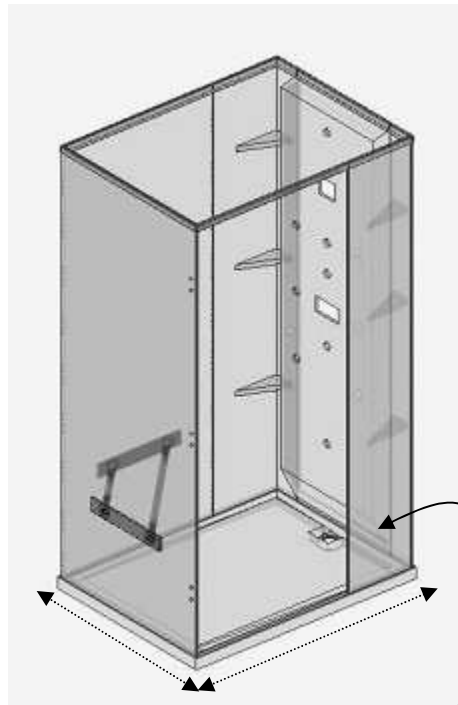
STEP 6: INSERT THE WETSPA SPLASH PANEL

PLEASE NOTE: Refer to pp. 26 - 28 for WetSpas equipped with an 35 1/8" x 84" GLASS WET WALL instead of the splash panel.

CAUTION! Handle the top and bottom lip of the splash panel with extreme care. They are very fragile and will break if mishandled.

PLEASE REVIEW PICTURE AT RIGHT: The Splash Panel MUST be installed with the deeper angled plane at the bottom. Failure to correctly install the Splash Panel will result in serious installation problems.

1. Leaving the Splash Panel in the crate, remove the back cover from the Splash Panel and set aside.
2. Lift the Splash Panel out of the crate and place it face side up on two padded saw horses.
3. Attach suction cups to the face of the Splash Panel to facilitate lifting and carrying.
4. Run a bead of silicone in the perimeter glass channel at the location of the Splash Panel.
5. Lift the Splash Panel off the padded saw horses. Correctly positioned with the deeper angled part of the panel at the bottom, center it between the side panels of glass on the Splash Panel side of the WetSpa. Lift the top rim slightly, align the top of the lip of the splash panel with the rim.
6. Set the top rim into the top lip of the splash panel.
7. Keeping the Splash Panel completely vertical lower the bottom lip carefully into the into the perimeter glass channel of the floor system.
8. Do NOT re-attach the back cover of the splash panel until directed to do so.



CHECK ALIGNMENT BEFORE SEALING WETSPA UNIT

SPLASH PANEL MUST BE INSTALLED WITH THIS DEEPER ANGLED PLANE AT THE BOTTOM

CAUTION!

Handle the top and bottom lip of the splash panel with extreme care. They are very fragile and will break if mishandled.

STEP 7: INSTALL THE LIGHTBOX

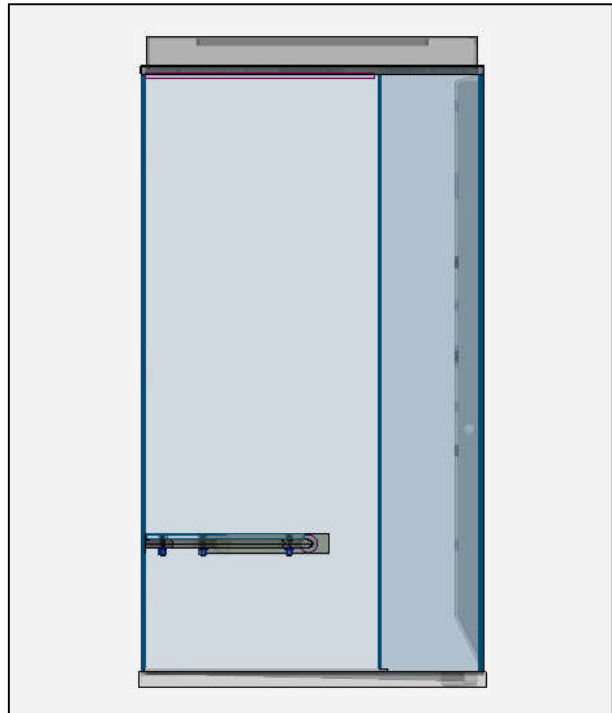
CAUTION!

The lightbox can be very heavy depending upon the configuration.

- Run a bead of silicone along the top perimeter inset of the rim.
- CAREFULLY lift the lightbox out of the container and place it in the inset of the top rim with the SPEAKER SIDE OVER THE SEAT.
- Run the cables down through the back of the splash panel.
- Continue the run under the floor / through the walls to get to the location of the fiber optic illuminator and the audio network / sound system.

PLEASE NOTE:

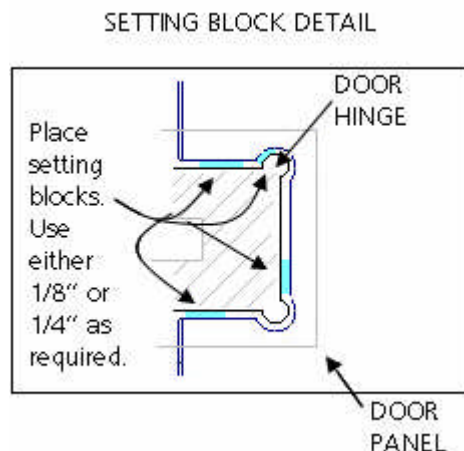
Some models include a rainhead or ceiling water feature. Attach the feed pipes to the plumbing manifold as instructed.



STEP 8: INSTALL THE DOOR HINGES

1. Clean the hinge area (face & edges) with denatured alcohol.
2. Place the black gaskets (provided) onto the inside and outside of the three glass cut-outs on the 32" x 81 5/8" STANDARD DOOR.
3. Attach the three hinges to the three cut-outs on the 32" door.
4. Insert setting blocks in each hinge (as shown below) to prevent the hinges from slipping
5. Using a spirit level, check that the hinges are level.
6. Hand tighten. DO NOT use power tools.

CAUTION! DO NOT substitute gaskets - 3/8" (10mm) black gaskets, specifically for 3/8" tempered glass, are supplied with the hinge.

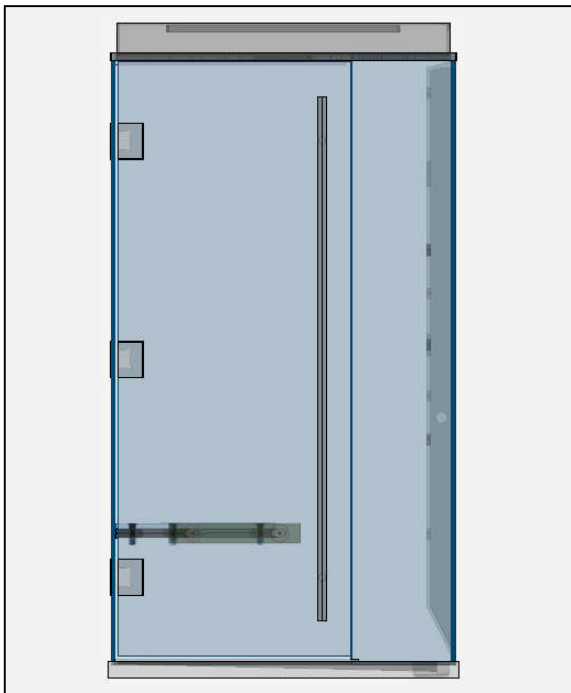


IMPORTANT:

The Glass Door is hung with 3 hinges. Both the 35 1/8" x 84" PANEL and the 32" x 81 5/8" STANDARD DOOR have been pre-cut at the factory. DO NOT substitute gaskets. The 3/8" (10mm) black gaskets, specifically for 3/8" tempered glass, are supplied with the hinge.

STEP 9: HANG THE GLASS DOOR & INSTALL THE DOOR HANDLES

1. Clean the hinge areas (face & edges) of the 84" x 35 1/8" PANEL with denatured alcohol.
2. Remove the faces of the door hinges that will be attached to the 84" x 35 1/8" PANEL.
3. Using the suction cups, lift the door and set the hinges in place.
4. Insert setting blocks in the hinge holes to prevent the hinges from slipping.
5. Attach the cover plates.
6. Using a spirit level; check that the hinges are level.
7. Hand tighten the cover plates. DO NOT use power tools.
8. Install the door handles.
9. Install one clear pad onto the top right corner of the face of the door stop attached to the rim. Leave remaining pads with the owner.



IMPORTANT:

The Glass Door is hung with 3 hinges. Both the 35 1/8" x 84" PANEL and the 32" x 81 5/8" STANDARD DOOR have been pre-cut at the factory. DO NOT substitute gaskets. The 3/8" (10mm) black gaskets, specifically for 3/8" tempered glass, are supplied with the hinge.

STEP 10: TRUE UP THE GLASS AND PREPARE FOR SEALING

1. From the interior side of the WetSpa, insert wood shims (not provided) at 2ft intervals in order to evenly space the seams.
2. Insert wood shims between the face of the interior of the pieces of glass and splash panel and the perimeter glass channel of the floor system.
3. Insert wood shims along the interior and exterior of the rim and glass panels and splash panel as needed.
4. Run diagonal lengths of blue painter's tape across the interior and exterior face of the panels to temporarily hold them in place.
5. Check the vertical and horizontal alignment of all of the panels and make any necessary adjustments to ensure that the unit is square and true.

STEP 11: SILICONE THE SEAMS

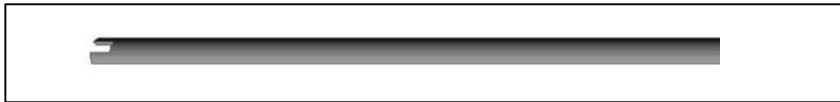
1. Remove the wooden triangles. From the inside of the WetSpa, apply a bead of silicone down each of the three corners of the WetSpa.
2. Remove the wood shims on either side of the Splash Panel and apply a bead of silicone.
3. Remove the wood shims along the interior seam between the back panels of glass and apply a bead of silicone.
4. Remove the wood shims inside the WetSpa around the top perimeter where the glass panels and splash panel have been inserted into the top rim and apply a bead of silicone.
5. Remove the wood shims inside the WetSpa around the bottom perimeter where the glass panels and splash panel have been inserted into the channel of the floor system and apply a bead of silicone.

WARNING!

Sculptured Homes will NOT replace the components of the WetSpa nor be held liable for damages caused by improper care, installation techniques, modifications, physical force or other abuse and does NOT cover any related labor charges, removal and reinstallation expense, freight or postage.

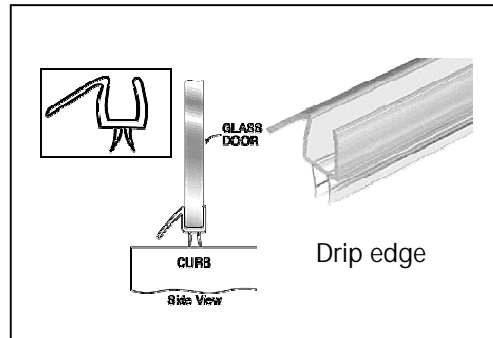
STEP 12: INSTALL THE DOOR THRESHOLD

1. Run a THICK bead of silicone into the empty perimeter glass channel at the doorway.
2. Set the threshold into the channel.
3. Run a bead of silicone where the glass is in the cut out portion of the threshold.

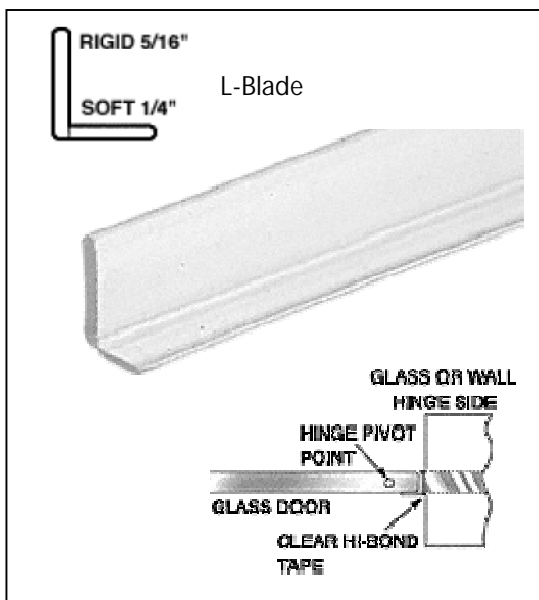
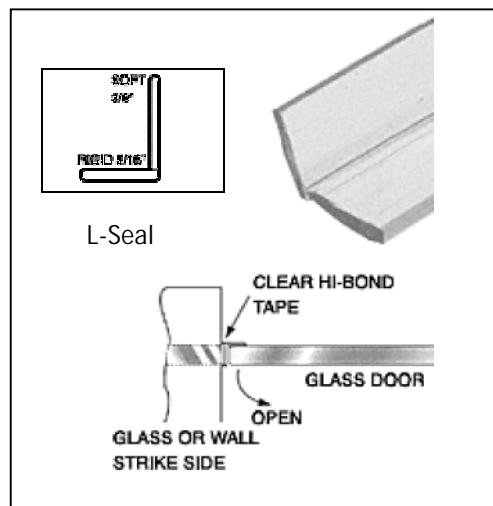


STEP 13: ATTACH THE TRANSLUCENT SEALS

1. Install the drip edge onto the bottom of the door.



2. Using clear high bond double sided tape, cut to length and apply the vinyl edge L-Seal along the left edge of the 84" x 14" PANEL (SPLASH END CORNER).



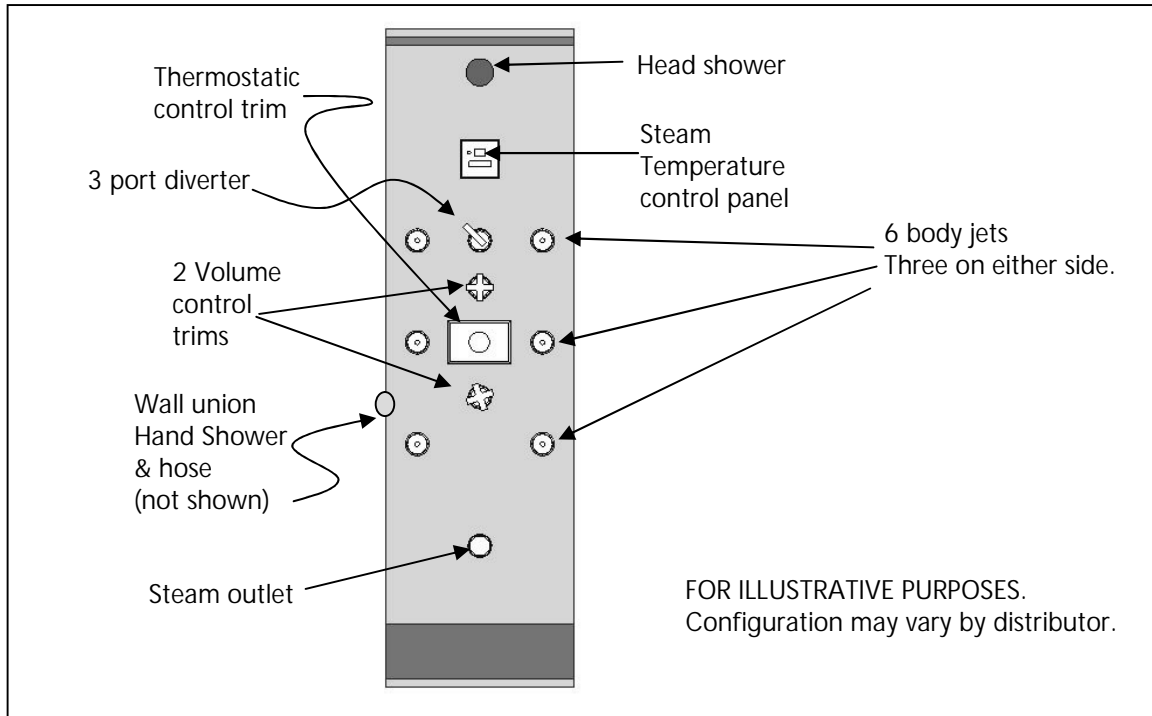
3. IF REQUIRED: Using clear high bond double sided tape, cut to length and apply the vinyl edge L-Blade along the right edge of the 35 1/8" x 84" PANEL (SEAT END CORNER – SIDE WALL).

IMPORTANT:

It is important to apply the translucent seals as directed so that the steam generator can operate at its best performance and deliver a consistent temperature-controlled steam bath. Use clear high bond double sided tape when installing the seals.

STEP 14: INSTALL THE FIXTURES AND FITTINGS

1. Follow the fixture & steam manufacturer's installation instructions and attach the components accordingly. NOTE: Your configuration may vary from the one illustrated below:



STEP 15: HOOK-UP ALL COMPONENTS

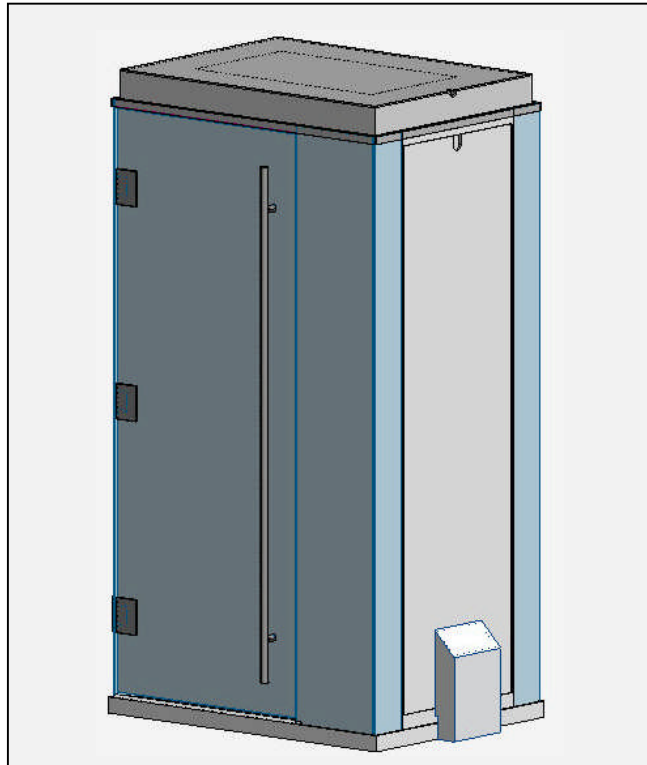
1. Install the steam generator and make all attachments (refer to steam manufacturer's Installation Instructions.)
2. Hook up the hot and cold water feeds to the hot and cold pipes coming out of the WetSpa splash panel.
3. Attach the fiber optic cable to the illuminator.
4. Attach the stereo speaker wire to the audio network / sound system:
Channel 1: Red (+) Black (-). Channel 2: White (+) Green (-)
5. Test all components.

IMPORTANT:

Consult the steam & fixture literature for additional warnings, cautions, installation instructions and care and maintenance instructions that relate to components sourced from these manufacturers. Improper installation, care or maintenance may void one or more warranties.

STEP 16: CLOSE UP THE BACK OF THE SPLASH PANEL

1. Place the back cover of the Splash Panel onto the back of the Splash panel.
2. Attach the cover with the square stainless steel screws using a 1/8" square screwdriver.
3. Attach the pipe cover clips.
4. Attach the pipe cover to the back cover of the Splash Panel.



STEP 17: CLEAN-UP THE WETSPA AND PREPARE FOR USE

1. Remove any remaining painter's tape.
2. Clean up any residual hot glue and sealant.
3. Place a few drops of dish soap in a bucket of warm water and apply to the inside and outside of the unit. Do not rinse/dry off.
4. Squeegee the outside of the unit.
5. Steam up the inside of the unit.
6. Turn off the steam and squeegee the inside of the unit while still filled with steam.
7. Clean the surface areas of the splash panel, fixtures and trim thoroughly.
8. Apply a Transparent Polymer Coating (TPC) Surface Protector to the glass if desired.

WELCOME to the WetSpa by Sculptured Homes. You have chosen a luxurious patented product that has been manufactured with quality materials and trusted workmanship.

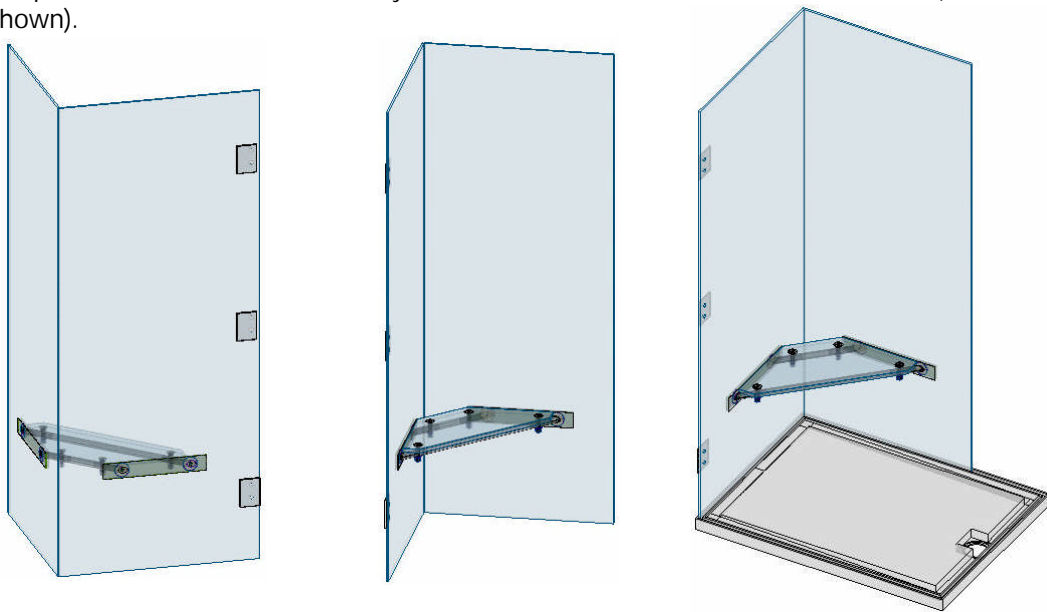
STEP 4: BACK WALL, CORNER AND ALCOVE INSTALLATIONS

When the WetSpa is installed against the back wall, in a corner or in an alcove, the seat corner glass, seat poles and seat must be pre-assembled and then inserted into the perimeter channel of the floor system.

You must pay close attention to the position of the panels as outlined in the installation instructions.

ALL ILLUSTRATIONS ARE FOR A LEFT HUNG DOOR. REVERSE FOR RIGHT HUNG INSTALLATIONS.

1. Stand the 35 1/8" x 84" glass panel (with door hinge holes) upright on a soft surface then:
2. Follow the steps provided on pp. 11 - 14 to pre-assemble the seat corner glass and seat poles.
3. Follow the steps provided on p. 17 to pre-install the seat.
4. For an ALCOVE installation, the door hinges and cover plates must be installed on the 35 1/8" x 84" SIDE PANEL (reverse the order from what is described on pp. 19 & 20).
5. Apply a THIN bead of silicone on top of the dry glaze and insert the completed assembly into the perimeter channel of the floor system so that the seat is to the back left corner (as shown).



6. Refer to pp. 15 & 16 to erect the two remaining glass corners and then to p. 18 for the remainder of the installation.

IMPORTANT!

BUTT the 32 3/8" PANEL INTO the 35 1/8" PANEL. Check that there is 10 3/4" from the INSIDE corner to the center of the closest seat pole hole on each of the 32 3/8" and 35 1/8" panels. If this is not the case, one or both panels may be inserted incorrectly. Correct the problem before proceeding.

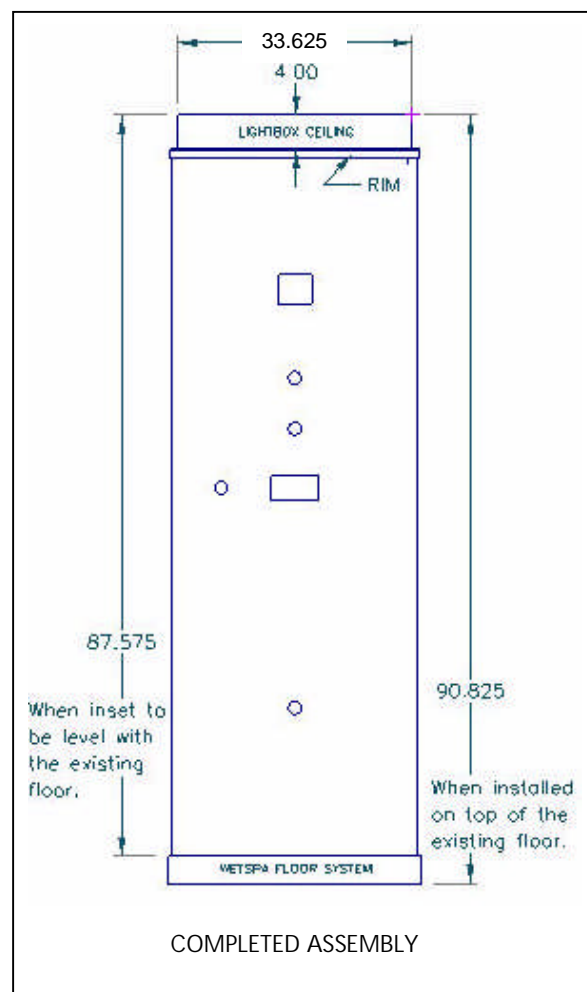
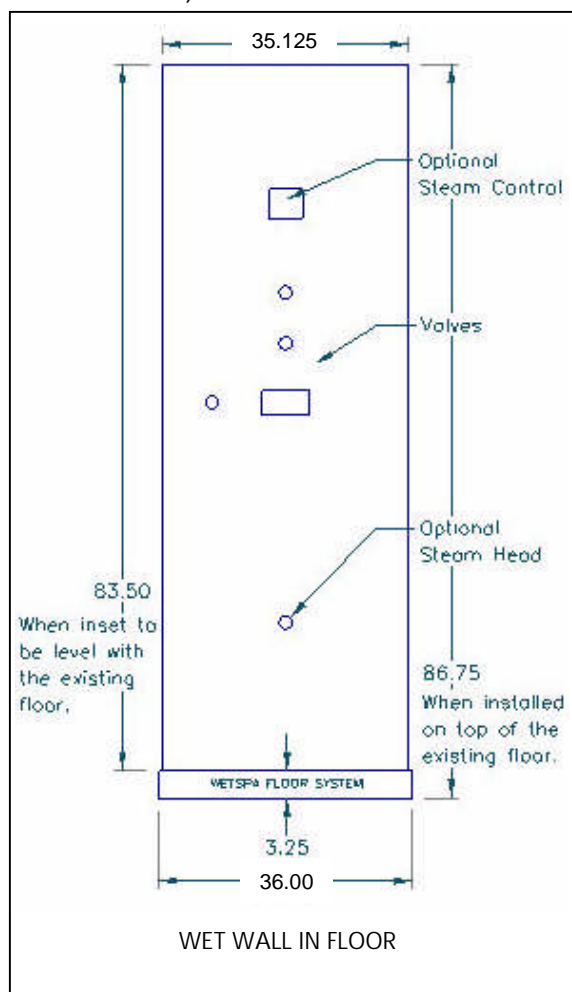
STEP 5: INSTALL THE PLUMBING MANIFOLD, GLASS WET WALL AND RIM

The GLASS WET WALL has been fabricated to match the pre-plumbed manifold and steam controls (if the unit includes steam) that were specified on the WetSpa order. The plumbing manifold should be installed and braced between the wall studs as you would normally plumb a custom built shower. Similarly, you will need an access panel on the opposite side of the wall to do the final hook-ups and for future access once the unit is operational.

Since plumbing configurations vary by order, we cannot provide measurements for every possible configuration. You will need to review your manifold and glass wet wall panel for rough-in measurements to determine how it will best fit in the wall opening. Some general guidelines are provided below.

Determine the correct position for the plumbing manifold prior to installing it by placing the glass wet wall into the perimeter channel of the floor system and taking note of the valve and steam head openings. Refer to the installation documents from the fixture manufacture to determine the correct depth of the manifold placement in the wall cavity.

PLEASE NOTE: If the WetSpa unit is equipped with a rainhead in the ceiling, hook up the water feed (provided) to the manifold BEFORE closing up the wall. (Refer to p. 27 for dimensions.)



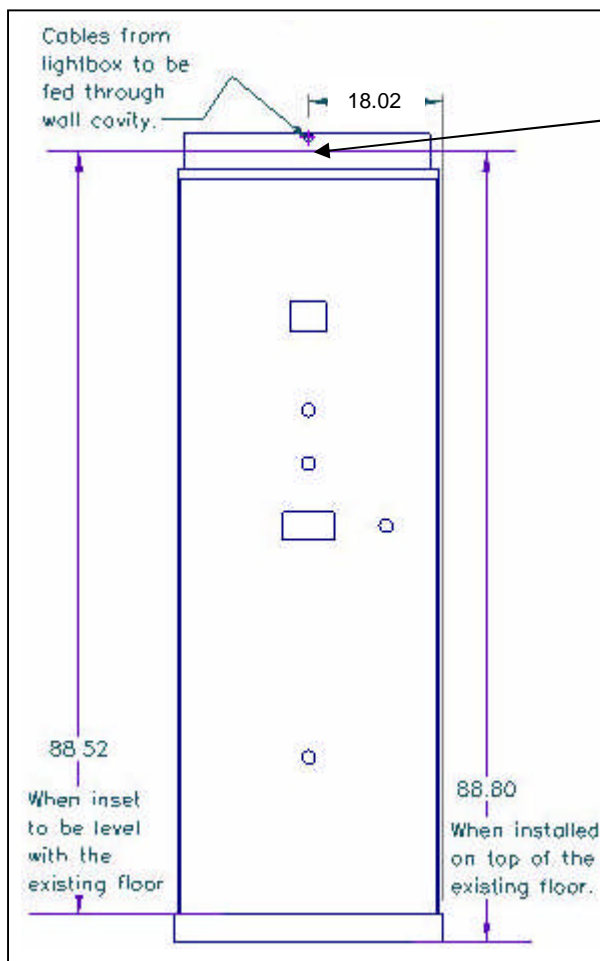
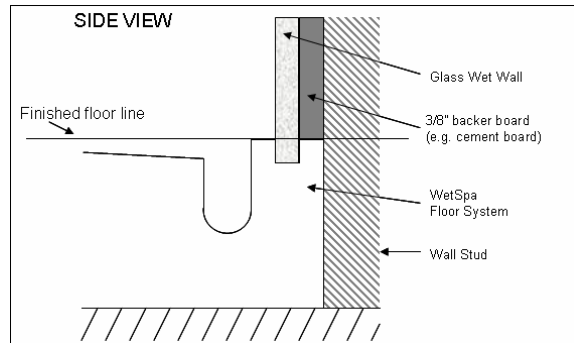
CAUTION!

Handle the glass wet wall with extreme care. The corners will chip and the rough plumbing will scratch the back-painted surface if care is not taken.

STEP 5: INSTALL THE PLUMBING MANIFOLD, GLASS WET WALL AND RIM (cont'd.)

Install a 3/8" backer board over the plumbing manifold and behind the glass wet wall panel. Refer to local building codes when choosing the backer board material.

Use your configuration-specific measurements and the guidelines provided on the previous page to measure out and pre-cut the holes in the backer board for the rough-in valves as you would for a custom build shower.



The top of the 3/8" backer board will require a 3" hole for feeding the fiber optic and speaker cables down the wall cavity for hook up to the illuminator and sound system.

PLEASE NOTE: If the WetSpa unit is equipped with a rainhead in the ceiling, the water feed that has been connected to the manifold should be fed through the backer board hole BEFORE closing up the wall so that it can be attached to the rainhead in the ceiling.

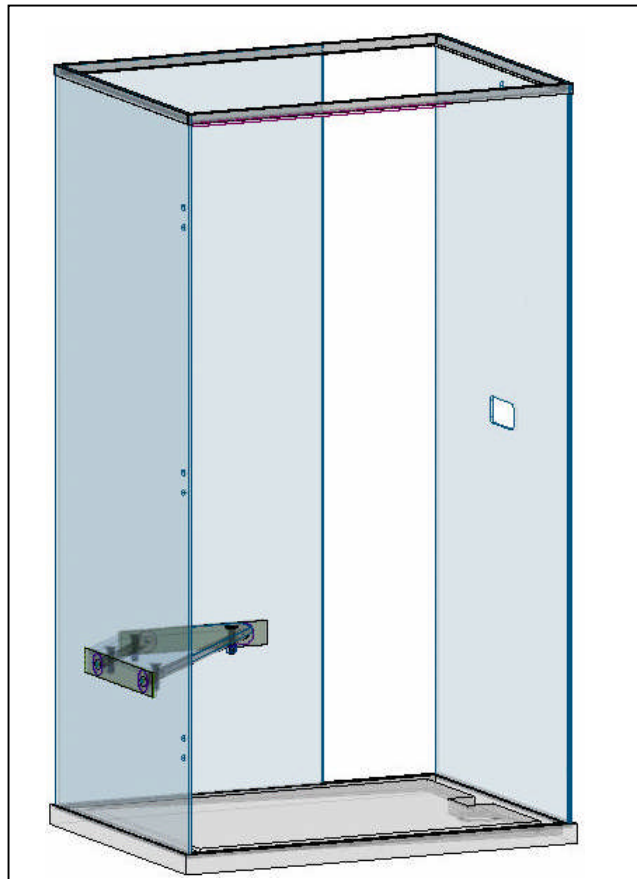
CAUTION!

Handle the glass wet wall with extreme care. The corners will chip and the rough plumbing will scratch the back-painted surface if care is not taken.

STEP 5: INSTALL THE PLUMBING MANIFOLD, GLASS WET WALL AND RIM

IMPORTANT! Please read pp. 26 & 27 BEFORE proceeding with the steps below. Failure to understand the "finished" assembly will result in serious installation problems.

1. Install the plumbing manifold in the wall cavity.
2. Attach the water feed to the manifold for the rainhead (if applicable).
3. Install the 3/8" backer board over the wall cavity.
4. Install the gang box for the steam control on the glass wet wall (if applicable).
5. Run a THIN bead of silicone in the perimeter glass channel of the floor system and insert the L-shaped dry glaze ensuring that the vertical part of the L-shaped gasket faces the exterior of the floor. Press the dry-glaze firmly in place allowing the silicone to form a thin seal.
6. Run a THIN bead of silicone on top of the dry glaze and insert the 35 1/8" x 84" glass wet wall panel into the perimeter channel of the floor system.
7. Place the rim on the top lip of the glass panels with the door stop facing the front.
8. Finish off the 3/8" backer board seam between the glass wet wall and wall surface with silicone and decorative trim (not provided).
9. Resume installation instructions on p. 15 Step 4B and p. 19 Step 7ff.



CAUTION!

Handle the glass wet wall with extreme care. The corners will chip and the rough plumbing will scratch the back-painted surface if care is not taken.