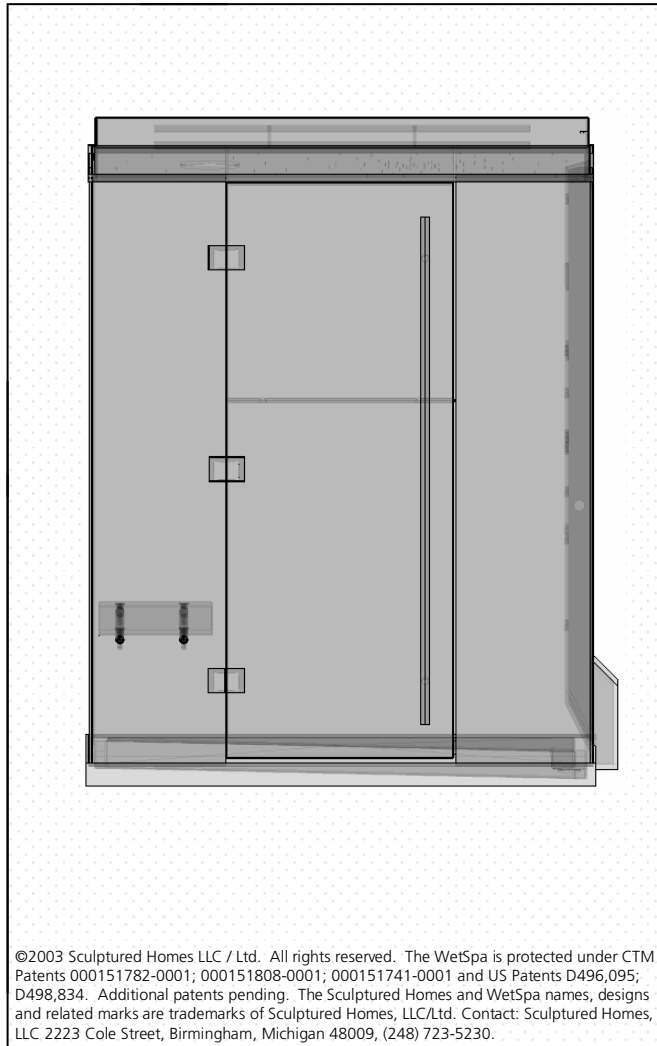




Sculptured HomesSM

SIMPLIFY 4x6 WETSPA[®] INSTALLATION



©2003 Sculptured Homes LLC / Ltd. All rights reserved. The WetSpa is protected under CTM Patents 000151782-0001; 000151808-0001; 000151741-0001 and US Patents D496,095; D498,834. Additional patents pending. The Sculptured Homes and WetSpa names, designs and related marks are trademarks of Sculptured Homes, LLC/Ltd. Contact: Sculptured Homes, LLC 2223 Cole Street, Birmingham, Michigan 48009, (248) 723-5230.

WELCOME to the WetSpa by Sculptured HomesSM. You have chosen a luxurious patented product that has been manufactured with quality materials and trusted workmanship.

Your WetSpa will provide years of beauty, pleasure and service provided that it is properly installed, cared for, and regularly maintained. Therefore, please follow the installation and care and maintenance instructions carefully.

Contact your sales representative if you require any additional assistance. Every part must be installed according to the installation instructions provided.

Improper installation may void the WetSpa Warranty. Improper installation of parts supplied by other manufacturers may also void their warranties.

The WetSpa is designed for **professional installation** by qualified general contractors, plumbers, and electricians. Consult your local building authorities to secure any necessary building permits and to ensure that the installation of the WetSpa complies with local and/or national codes and ordinances.

Consult your architect or builder prior to installation of the WetSpa to establish what additional structural support may be required.

IMPORTANT! DO NOT DISCARD ANY DOCUMENTATION. ALL DOCUMENTATION PROVIDED (INCLUDING THIS BOOKLET) MUST BE GIVEN TO THE HOME OWNER FOR FUTURE USE.

WARNING!

Elderly persons, pregnant women, or those suffering from heart disease, high blood pressure, diabetes, or who are otherwise not in good health, should NOT use the steam bathing device unless directed to do so by a physician. Steam bathing should also be avoided while intoxicated.

INSTALLATION REQUIREMENTS:

- The Sculptured Homes WetSpa requires a dedicated 208v / 240v line (depending on local utility line voltage) for the steam generator and a dedicated 120v line for the fiber optic illuminator.

- One hot and two cold water feeds are required.

- Identify a site to house the **steam generator** prior to installation in accordance with the enclosed steam generator installation instructions. The steam line should not exceed 25ft (7.5m) and must be insulated if over 10ft (3m).

- **WARNING!** DO NOT install the steam generator outdoors, in a moist, humid area, or in an area where parts may freeze or corrode. DO NOT install near flammable materials such as paints, thinners, gasoline, etc.

- **WARNING!** The steam line and safety valve reach a temperature of 212°F during operation and should be appropriately protected to prevent personal injury by accidental contact.

- Once the WetSpa is installed there will be approximately 10ft (3m) of fiber optic cable remaining to reach the illuminator. Determine the location of the **fiber optic illuminator** accordingly. The illuminator should be mounted either vertically on a wall or flat on a firm horizontal surface. Allow a minimum 24" (60cm) clearance on either side to provide adequate ventilation and easy access for relamping. This product is U/L listed for damp locations.

- An audio network or stereo sound system is required in order to utilize the pre-wired **stereo speaker** included with the WetSpa.

- **Consult your plumber** to determine the appropriate sized **hot water tank** based on your particular usage.

PREPARING THE INSTALLATION LOCATION:

- **Consult your architect or builder prior to installation** to ensure that structural support for the WetSpa is adequate. Follow their

recommendations. Refer to pages 5-6 of this Installation booklet for critical technical information.)

- The Simplify WetSpa can be installed away from existing walls or against one or more existing walls. If you plan to install the WetSpa away from existing walls, Sculptured Homes recommends a minimum of 12" (30cm) from the edge of the WetSpa floor system to the nearest wall.

PREPARATION OF SPECIFIC PARTS:

- The **glass** is shipped with a temporary protective plastic film on all surfaces. It is best to leave this protective film on the glass, peeling back or removing it from the surface areas required for installation as and when necessary.

- The glass must be free of any film or greasy residue to get a tight seal. Use **denatured alcohol** to clean the front, back and edges of the glass prior to application of the silicone sealant, or before hardware is attached to the glass. This will promote adhesion.

- The patented design of the WetSpa **floor system** allows it to be tiled, to achieve a seamless, integrated appearance with the surrounding floor in the room. If you intend to tile the top of the floor system, then use tiles no greater than 3" (7.5cm) square in order to preserve the drainage pitch. A 1" (2.5cm) square tile is highly recommended.

- You must use an **epoxy tile adhesive** and follow the adhesive instructions carefully when applying tile to the top of the floor system. Cure times are very quick with epoxy based adhesives and mistakes are impossible to correct. Sculptured Homes will NOT replace nor be held liable for damages to the floor system resulting from mistakes made during the tiling of the unit.

- **Seal the tile** with a sealant suitable for steam applications before using the WetSpa.

- Tile can be applied to the floor system before installation as long as adequate time is given for the grout and sealant to cure.

WARNING!

The Sculptured Homes WetSpa is designed to be installed in one of two ways: 1) flush with the floor or 2) above the floor surface. Additional structural support may be required depending on the existing structural support of the location and the installation option that you choose. Consult and follow the advice of your architect and/or builder.

CARE AND MAINTENANCE GUIDELINES:

Owning the WetSpa should provide years of enjoyment. Your regular care and maintenance of the WetSpa will keep it functioning properly while retaining its aesthetic beauty.

HARDWARE, FIXTURES, & FITTINGS:

The **finish** on the hardware, fixtures and fittings, if given the proper care, will remain as beautiful as they are now. Neglecting or ignoring the basic rules of maintenance will harm the finish on the hardware, fixtures and fittings.

- Drying the hardware with a clean, soft towel on a daily basis is the best way to maintain the hardware. If mineral deposits build-up, mix a couple of drops of a mild liquid soap into a cup of warm water. Using a soft, non-abrasive cloth, clean the hardware. Rinse thoroughly with clean, warm water and dry.
- **WARNING!** Never use an abrasive cleanser of any kind on the hardware. Many of the components are coated with a clear lacquer that will be irreparably damaged if subjected to harsh, abrasive chemicals or scrubbing devices.

Hinges are greased at the factory for quiet and trouble free operation. If there is any squeaking that occurs after installation, put a drop of "3 in 1 Oil" (also known as household oil) on the white nylon washer upon which the hinge body pivots. This washer is the component that acts as a buffer, so that the body of the hinge doesn't pivot directly on the brass center block. This solution doesn't require the disassembly of the hinge.

- **WARNING!** Do NOT spray lubricant on the hinges. If the hinge has been disassembled, upon re-assembly, use white lithium grease to lubricate the interior mechanism.

Shower fixture components used in the WetSpa have been designed by leading manufacturers in the industry. Please review the documentation provided by these manufacturers and follow the recommended installation, care and maintenance procedures.

HOW TO CARE FOR GLASS:

Glass that is neglected or ignored, will accumulate water spots which will eventually turn into mineral deposits.

- The best way to keep the glass free of potentially damaging water spots is to squeegee the glass after every use. Ideally, squeegee the glass on a daily basis. It will prove to be a minimal investment in time and will save a great deal of cleaning effort later.
- Using a Transparent Polymer Coating (TPC) Surface Protector to protect the glass will help make the surface water, soil and stain resistant. The clear coating guards against the adhesion and build-up of dirt, grime, soap scum, rust and mineral deposits.
- **IMPORTANT!** A TPC Surface Protector can help to repel water off of the glass, but is not intended to replace the use of a squeegee.

HOW TO CARE FOR THE WETSPA FLOOR SYSTEM:

The Sculptured Homes patented floor system is made from a highly durable solid surface composite. Use a mild soap and Teflon safe scrubbing pad to keep the surface clean and free from a build-up of dirt, grime, soap scum, rust and mineral deposits.

- If the floor system should become marked or scratched, simply take a piece of extra fine buffing pad and hand buff out the mark or scratch until the surface is restored to its original look.
- **WARNING!** If you tile the surface of the WetSpa floor system, then you must care for the tile according to the tile manufacturer's recommendations. This includes sealing the tile and grout with a proper sealer and maintaining that seal over the life of the product.

REMINDER:

Take time to familiarize yourself with the documentation provided. Your WetSpa will provide years of beauty, pleasure and service provided that it is properly installed, cared for, and regularly maintained.

PRODUCT TERMS AND CONDITIONS:

Warranty

Sculptured Homes warrants for a period of one year that the product will be free from manufacturing defects. This warranty does not cover damage caused to the goods during shipment, or by improper care, installation techniques, modifications, physical force or other abuse and does not cover any related labor charges, removal and reinstallation expense, freight or postage. This warranty does not cover parts warranted by other Manufacturers used in conjunction with the goods. Sculptured Homes shall only be responsible for repairing or replacing any part or parts that do not comply with this Warranty, as determined by Sculptured Homes. Sculptured Homes' total liability under this Warranty will not exceed the purchase price for the goods and will not include consequential damages.

Warranty Claims

Warranty claims must be made in writing to Sculptured Homes, LLC, 2223 Cole Street, Birmingham, MI 48009, USA. Please include original Sculptured Homes Sales Order or Invoice number, date of purchase, item description and description of claim. Defective parts must be returned in their original crating. New Sculptured Homes boxes and crates may be ordered (at a charge) for safe return if the original box is unavailable.

Missing Parts

Claims for missing parts must be made in writing to Sculptured Homes within five (5) days of receipt of shipment.

Freight Claims

Claims for freight damage must be made with the carrier. Inspect shipment on receipt, and note damage to cartons or crates. Request inspection by the carrier within the time limit set by the carrier. Follow the carrier's procedure to process the claim.

Returns

Sculptured Homes' products are manufactured to customer order due to their custom nature. Consequently, product is non returnable and non refundable. Please order carefully. All sales are final and cannot be changed.

Prices

Sculptured Homes reserves the right to change prices without notice at any time prior to order confirmation. Prices shown are retail prices and exclude Freight and Crating, which are Net. Additional charges may exist and are referred to as: delivery, insurance, export documentation, duty, tariff and handling and storage. All prices shown are F.O.B. Sculptured Homes, LLC/LTD location of choice.

IMPORTANT:

Consult the enclosed steam and shower fixture literature for additional warnings, cautions, installation instructions and care and maintenance instructions that relate to components sourced from these manufacturers. Improper installation, care or maintenance may void one or more warranties.

CRITICAL TECHNICAL INFORMATION:

Simplify installation options

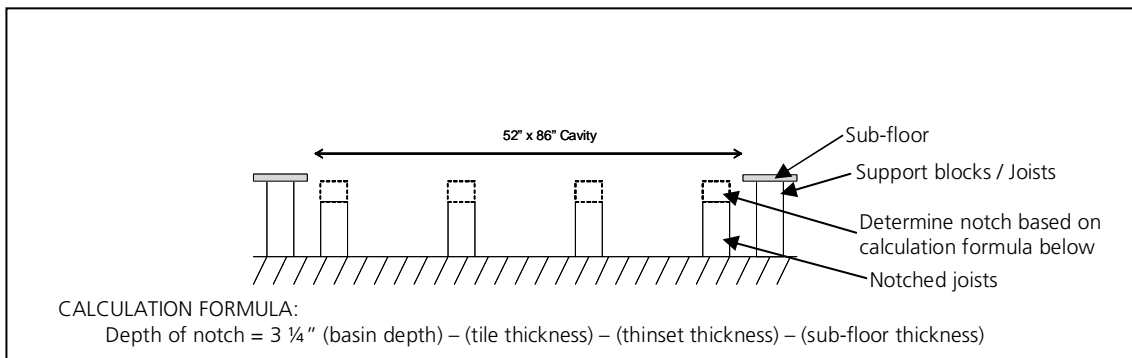
Simplify is offered as a model of WetSpa that can be inset to be level with the existing floor or set on top of the existing floor. Furthermore, Simplify can be installed remote from existing walls or immediately adjacent to one wall or a corner. When installing adjacent to an existing wall or corner, please ensure that the glass panels on the sides to be integrated are sealed and moisture proof against the adjacent wall(s).

Simplify Dimensions & Weight

	Dimensions	Weight
Standalone inset	- 75 1/4"(l) x 48"(w) x 86 3/4"(h)	- 1,563 lbs.
	Dimensions	Weight
Standalone on top	- 75 1/4"(l) x 48"(w) x 90"(h)	- 1,563 lbs.

FOR ILLUSTRATIVE PURPOSES ONLY:

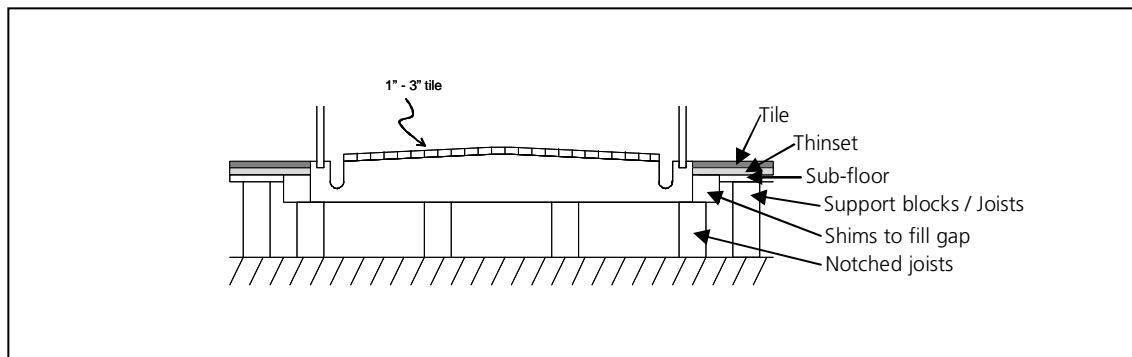
Side view to inset the 4' x 6' Floor System



CONSULT AND FOLLOW THE ADVICE OF YOUR ARCHITECT AND/OR BUILDER BEFORE NOTCHING OUT JOISTS OR INSETTING THE FLOOR SYSTEM.

FOR ILLUSTRATIVE PURPOSES ONLY:

"Finished" Side view to inset the 4' x 6' Floor System



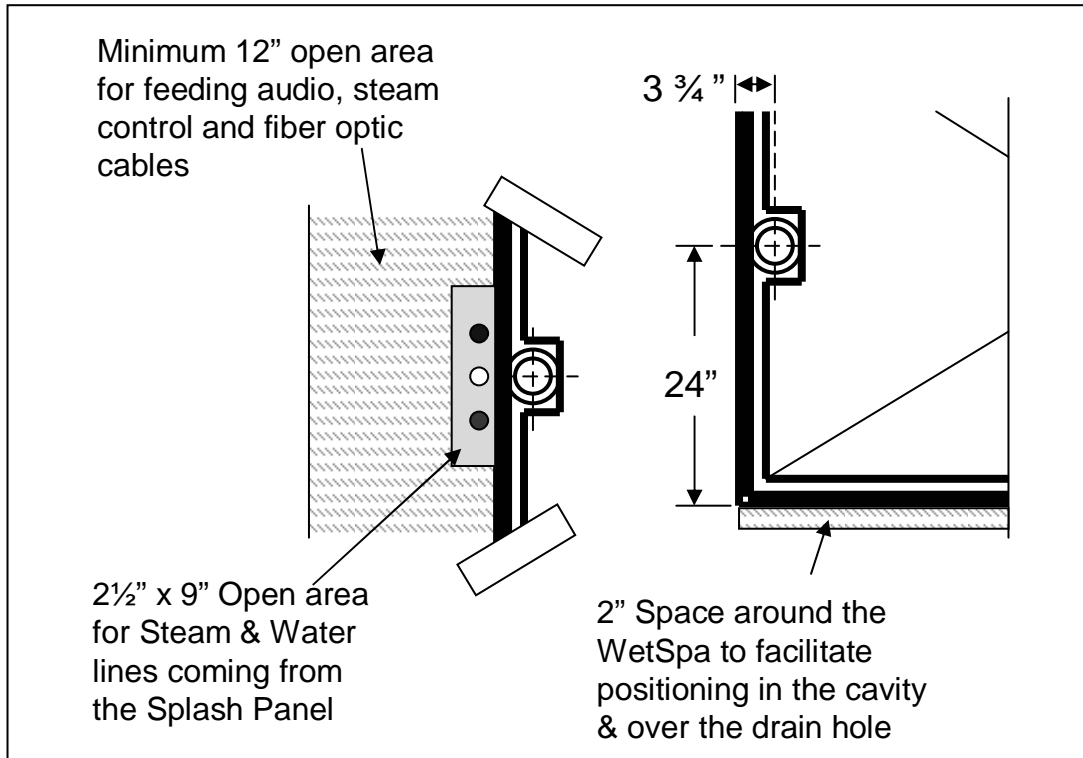
CAUTION:

The WetSpa is designed for professional installation by qualified general contractors, plumbers, and electricians. Secure the proper permits and consult your local building authorities to ensure that the installation of the WetSpa complies with local and/or national codes and ordinances.

CRITICAL TECHNICAL INFORMATION (cont'd.):

NOTE: Leave sufficient space along the drain side for connecting the plumbing and running the various cables. Do NOT finish off this area until installation of the WetSpa is completed.

Critical dimensions for centering the floor system drain:



Plumbing

- 2" standard PVC shower stall drain
- Source 1 hot and 1 cold at floor level for hook-up to the Splash Panel; 1 cold water feed for hook-up to the Steam generator.
- Flow rate: up to 17.5gpm
- Water pressure: 14.5 – 72.5psi.
- Pre-plumbed pressure tested plumbing manifold terminates with 3/4" 90° elbow with 3/4" female connector for the hot and cold feeds and 90° elbow for the steam feed per manufacturer's specification.

Electrical

- Steam generator: 208v / 240v depending on local utility line voltage; plug & receptacle require a rating of no less than 250V and proper amperage. Refer to the chart in the steam generator & control instructions. Steam line should not exceed 25ft (7.5m) and must be insulated if over 10ft (3m).
- Fiber-optic illuminator: 120v; located up to 10ft (7.5m) from the WetSpa.

CAUTION:

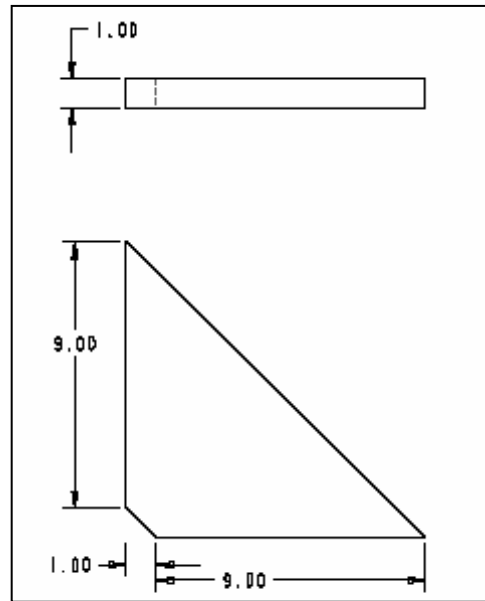
The WetSpa is designed for professional installation by qualified general contractors, plumbers, and electricians. Secure the proper permits and consult your local building authorities to ensure that the installation of the WetSpa complies with local and/or national codes and ordinances.

TOOLS AND MATERIALS:

- two (2) 8" suction cups, pump action for flat surfaces. 125lb (56kg) capacity; 4:1 safety factor
- hot glue gun and 1 all purpose quick dry glue stick
- 3mm (7/64") hex key (for caps & door pulls)
- 15/16" wrench (for locknuts)
- 3/8" hex key (for seat bolts)
- 6mm (7/32") hex key (for shelf hinge)
- 5mm (3/16") hex key (for shelf hinge)
- 1/8" square screwdriver (for screws on splash panel back)
- flat blade screwdriver
- Phillips head screwdriver
- small level (approx. 6" – 8" long)
- 2 saw horses
- caulking gun
- high bond double sided **clear** tape
- wood shims
- razor blades
- 2 bottles denatured alcohol
- 6 rolls paper towel
- 1 doz. soft cloths
- bottle of mild dish soap
- 1 12' x 12' tarp
- 1 pair scissors
- 1 roll 2" blue painter's tape
- 2 metal, gangable switch boxes (for exterior steam timer control)
- wall and/or dimmer switches and switch box suitable for desired external control of WetSpa fiber-optic lighting

PLYWOOD TRIANGLE "SETTING BLOCKS"

- We recommend using Plywood triangles (not provided) to hold the corners of the WetSpa in place while they cure during the assembly process. Cut 12 triangles from 1" plywood to the following dimensions:



STEAM CONTROL PANELS

The WetSpa includes a Temperature Control panel and a Timer Control panel for the steam generator. The Temperature Control panel must be mounted inside the WetSpa on the Splash Panel as instructed. The Timer Control Panel must be mounted outside the WetSpa.

You will need to select a convenient location and prepare the space for the Timer Control Panel. Please follow the steam manufacturer's installation requirements.

FIBER-OPTIC LIGHT SWITCH

The fiber optic illuminator provided requires a hard wire connection. The illuminator can be attached to wall and dimmer switches (not provided). You will need to select the location and parts for the switches which should be installed by a qualified electrician.

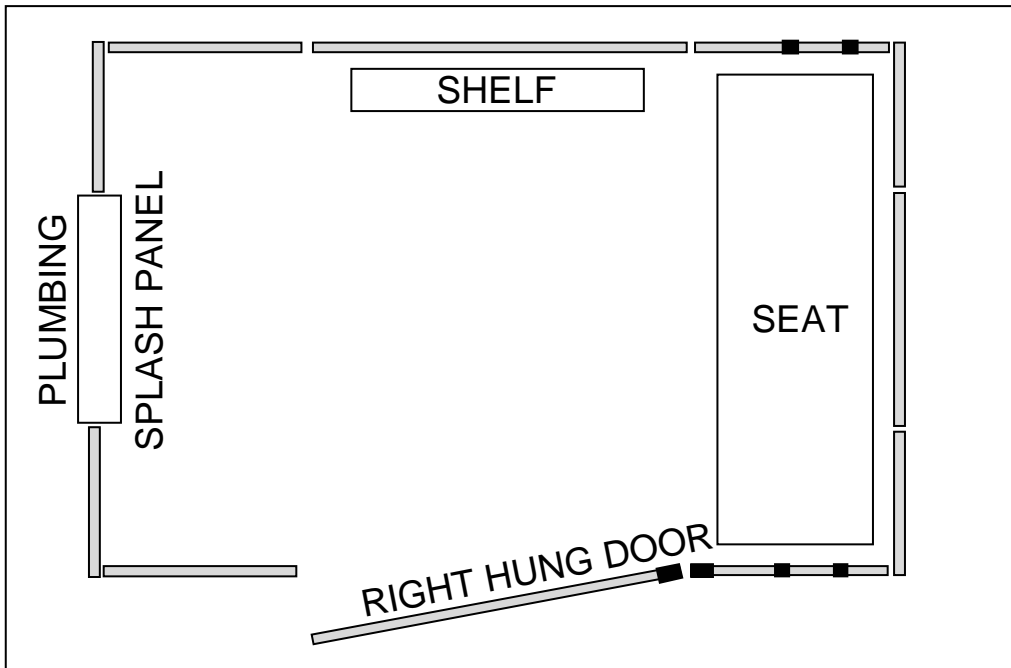
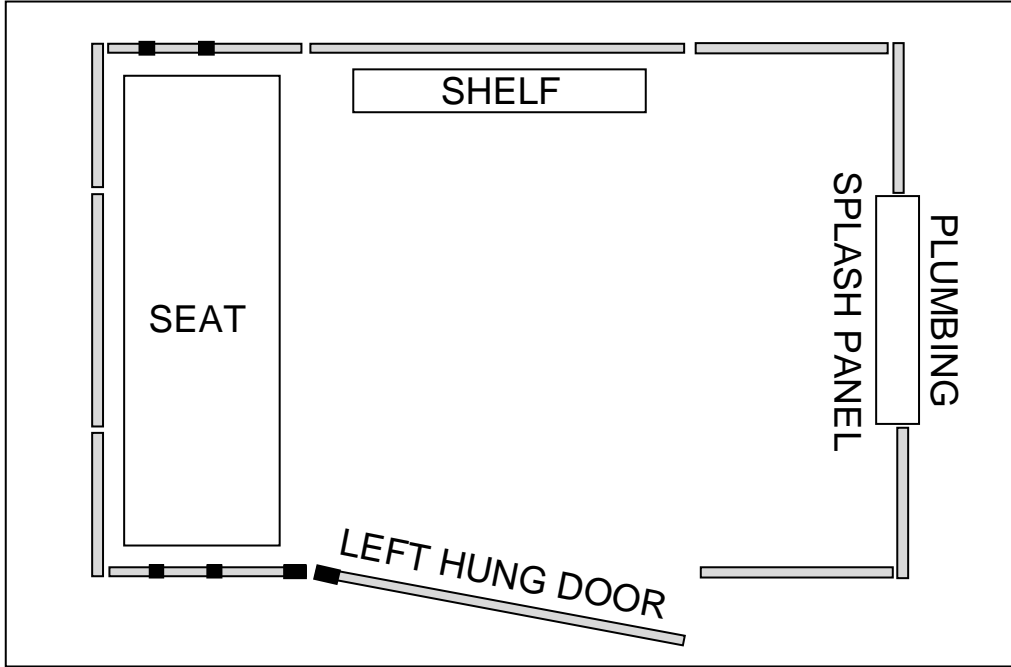
- A **standard rheostat electronic dimmer** is required.

IMPORTANT!

Do not discard any documentation. All documentation provided with the WetSpa (including this booklet) must be given to the home owner for future use.

IMPORTANT! DETERMINE LEFT OR RIGHT HUNG PREFERENCE

Certain corner panels of glass are asymmetric and how you intend to position the WetSpa in the room determines how these panels of glass are glazed together and positioned in the floor system. The door hinges are always on the seat side of the unit as shown below.



WARNING!

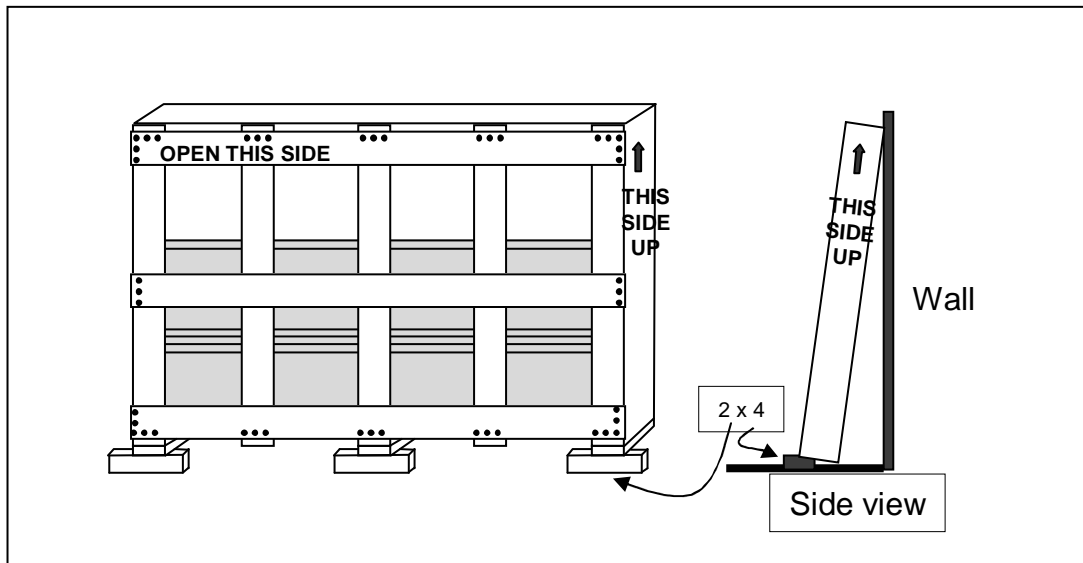
Sculptured Homes will NOT replace the glass nor be held liable for damages caused by improper care, installation techniques, modifications, physical force or other abuse and does NOT cover any related labor charges, removal and reinstallation expense, freight or postage.

INSTALLATION INSTRUCTIONS FOR LEFT HUNG DOOR CONFIGURATION

NOTE: The following instructions illustrate the assembly of a Simplify 4 x6 WetSpa with a LEFT hung door. Refer to the diagram on page 8 of this booklet when installing the unit with a right hung door.

STEP 1: OPENING THE GLASS CRATE:

CAUTION! The glass will tumble out of the crate if the crate hasn't been securely positioned to prevent it from leaning forward while being opened.



1. Lean the crate against a wall with the "Open this Side" facing you.
2. Place a 2 x 4 under the legs of the crate to prevent it from falling forward.
3. Carefully remove the screws on the face of the crate; maintaining pressure to keep the crate leaning back against the wall.
4. Remove the pieces as required, beginning with the 84" x 11 3/8" and the 84" x 19" corner panels.

SIMPLIFY 4 x 6 GLASS INVENTORY (WITH SEAT UPGRADE):

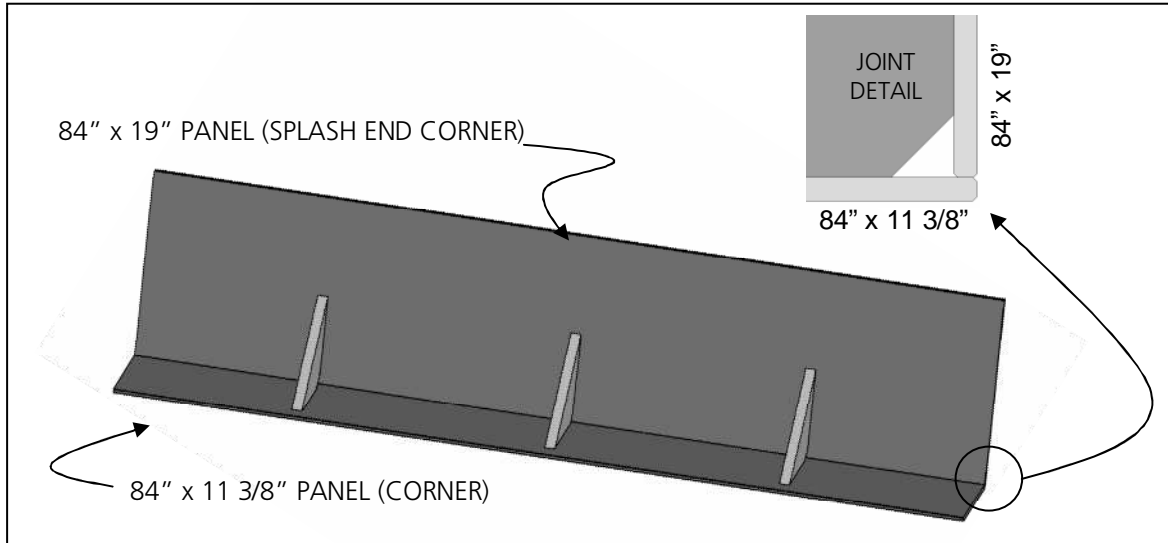
1 – 84" x 19" PANEL (SEAT END CORNER W/HINGE)	4 – 84" x 11 3/8" PANEL (CORNER)
1 – 84" x 19" PANEL (SEAT END CORNER)	1 – 81 5/8" x 32" STANDARD DOOR
2 – 84" x 19" PANEL (SPLASH END CORNER)	1 – 32" x 4" SHELF
1 – 84" x 24" PANEL (SEAT MIDDLE)	1 – 16" x 46" SEAT*
1 – 84" x 32" MIDDLE PANEL (W/SHELF HOLES)	*WHEN ORDERED AS AN UPGRADE

WARNING!

Sculptured Homes will NOT replace the glass nor be held liable for damages caused by improper care, installation techniques, modifications, physical force or other abuse and does NOT cover any related labor charges, removal and reinstallation expense, freight or postage.

STEP 2: GLAZING THE WETSPA CORNERS ON THE SPLASH PANEL SIDE

CAUTION! Always butt the LONGER width panels of the WetSpa corners INTO THE SHORTER width panels. It is absolutely critical that the corner panels are assembled as directed. Failure to follow these instructions will result in serious installation problems.



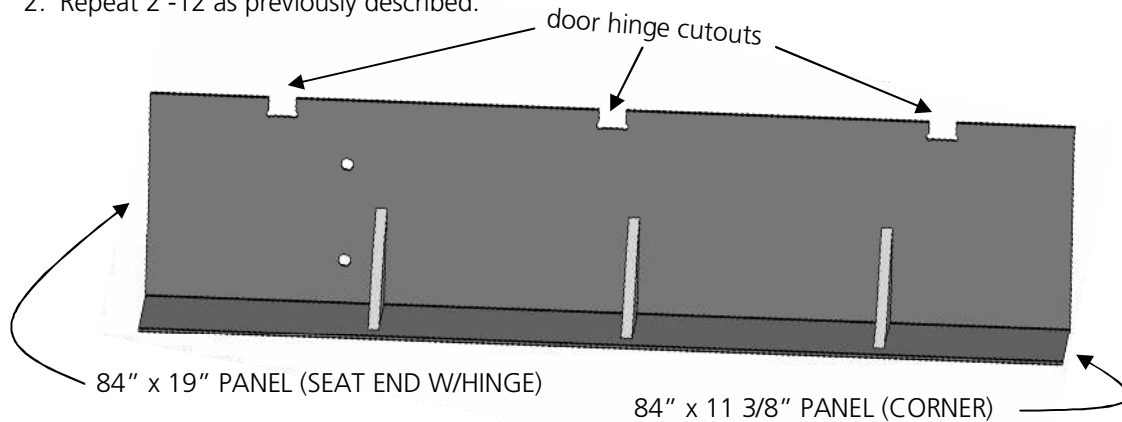
1. Lay one of the 84" x 11 3/8" PANEL (CORNER) and one of the 84" x 19" PANEL (SPLASH END CORNER) onto a scratch-free flat surface.
2. Remove the red corner guards and the plastic film from the interior sides.
3. Clean the edges and faces of the panels with denatured alcohol.
4. Butt the LONGER width panel on end to the SHORTER width panel and hold in place.
5. Hot glue the triangles in place on the SHORTER width panel as shown.
6. Remove the LONGER width panel.
7. Run 1/16" inch bead of silicone sealant where the LONGER width panel will set.
8. Set the LONGER width panel onto the glass; flush with the sides of the triangles.
9. Hot glue the triangles in place on the LONGER width panel as shown.
10. Put the red corner guards on the exposed corners.
11. The assembled corner will be top heavy, so place something behind the LONGER (vertical) panel to prevent it from tipping back.
12. Leave the assembled corner to set until directed in instructions.
13. Repeat the process for the other 84" x 19" PANEL (CORNER) and 84" x 11 3/8" PANEL (SPLASH END CORNER).

IMPORTANT!

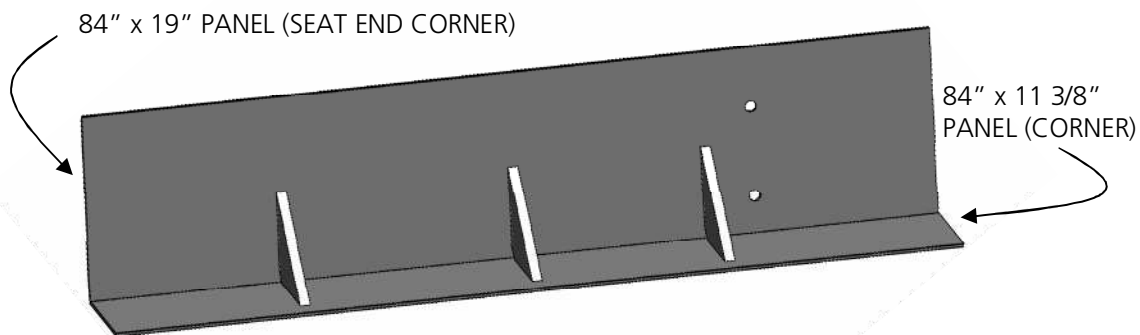
Always butt the LONGER width panels of the WetSpa corners INTO THE SHORTER width panels. It is absolutely critical that the corner panels are assembled as directed. Failure to follow these instructions will result in serious installation problems.

STEP 3: GLAZING THE WETSPA CORNERS ON THE SEAT SIDE – FOR LEFT HUNG DOOR

1. Lay the 84" x 11 3/8" PANEL (CORNER) and the 84" x 19" PANEL (SEAT END W/HINGE) on a scratch free flat surface; making certain to set up the corner with the seat holes as shown (refer to hole detail at the bottom of this page).
2. Repeat 2 -12 as previously described.

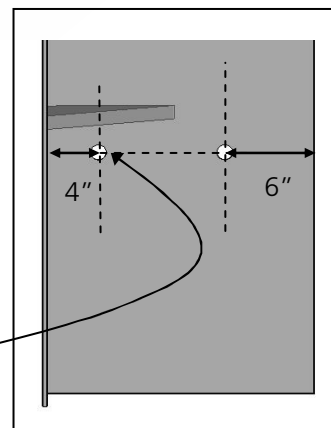


3. Lay the remaining 84" x 11 3/8" PANEL (CORNER) and 84" x 19" PANEL (SEAT END CORNER) on a scratch-free flat surface; making certain to set up the corner with the seat holes as shown (refer to hole detail at the bottom of this page).
4. Repeat 2 – 12 as previously described.



IMPORTANT!

One hole is closer to the edge of the glass than the other hole. Be sure to glaze the corner with the closer hole at the joint.



IMPORTANT!

The two 84" x 19" glass panels that have the holes at the bottom for the seat pole must be assembled so that the seat poles will attach correctly. Set the panels, as shown, when assembling these corners. Failure to follow these instructions will result in serious installation problems.

STEP 4: INSTALL THE SHOWER DRAIN and WETSPA FLOOR SYSTEM

A standard 2" PVC drain is provided with the WetSpa Floor System. Your qualified plumber will need to purchase a different drain if one is required based on the specific plumbing and/or local codes and ordinances of your specific installation and follow the manufacturer's instructions. If you use the drain provided, then:

1. Apply silicone sealant to the under side of the **drain body** flange, which will come in contact with the drain hole of the floor system.
2. Position the **drain body** in the drain hole of the floor system.
3. From the under side of the floor system bottom, slide the **flat rubber washer** over the threads of the **drain body** until it is against the bottom of the floor system.
4. Do the same with the **flat hard-paper friction washer**.
5. Hand tighten the **retainer nut** while checking once again to be sure that the drain is positioned correctly in the drain hole of the floor system.
6. Tighten the **retainer nut** to a secure fit. The drain is now part of the floor system.
7. Position the floor system over the drain pipe which has been roughed into the floor/cavity and seal the drain connection as needed.
8. Run some water into the drain and check for leaks.
9. After the leak test is satisfied, attach the **strainer** in place to complete the installation and tape over strainer to prevent debris from entering the drain.

STEP 5: INSERT THE L-SHAPED GASKET INTO THE PERIMETER GLASS CHANNEL

The L-shaped dry-glaze gasket packaged with the floor system has been pre-cut at the factory. Check that the pieces are correctly positioned in the perimeter glass channel of the floor system:

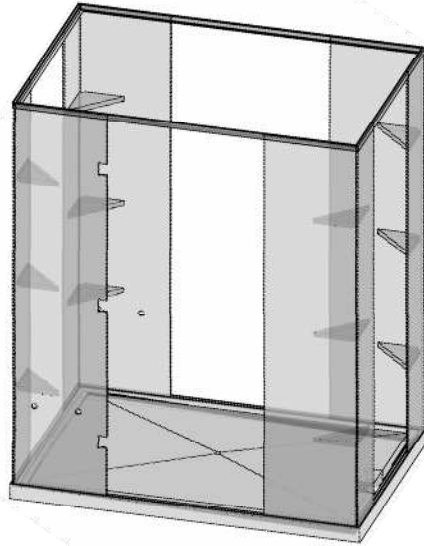
1. The gasket should be inserted so that the vertical part of the L-shaped gasket faces the exterior of the basin.
2. There should be a 32 ½" gap (no dry-glaze) on center at the doorway where the threshold will be installed later.
3. There should be a 24 ½" gap (no dry-glaze) on center where the splash panel will be installed later.

WARNING!

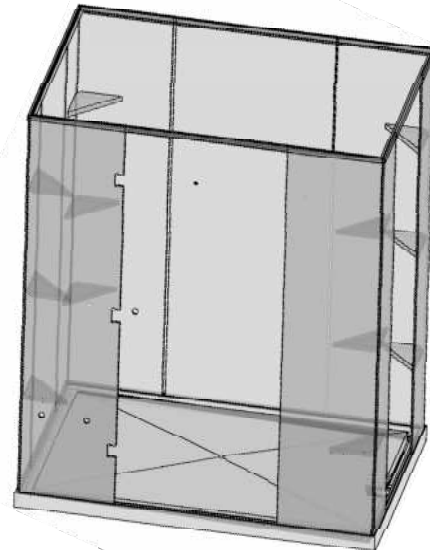
Sculptured Homes will NOT replace components of the WetSpa nor be held liable for damages caused by improper care, installation techniques, modifications, physical force or other abuse and does NOT cover any related labor charges, removal and reinstallation expense, freight or postage.

STEP 6: INSTALL THE GLASS

1. Remove the remaining red corner protectors and insert the four corners of the WetSpa into the perimeter glass channel of the floor system.
2. Set the Stainless Steel top rim onto the four corners with the DOOR STOP side over the doorway.



3. Remove the protective plastic film and install the 84" x 24" PANEL (SEAT MIDDLE). You will need to lift the top rim slightly in order to get this panel into place.
4. Remove the protective plastic film and install the 84" x 32" MIDDLE PANEL (W/SHELF HOLES). You will need to lift the top rim slightly in order to get this panel into place.



WARNING!

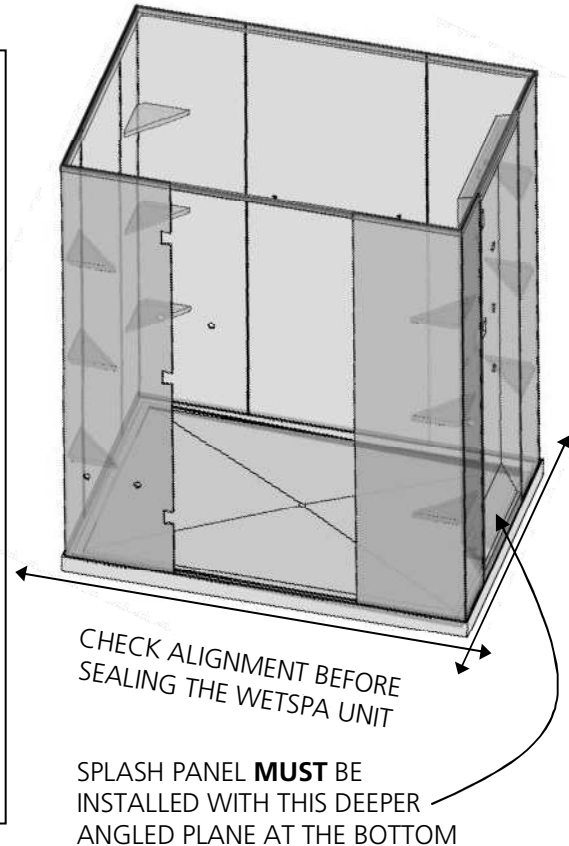
Sculptured Homes will NOT replace the components of the WetSpa nor be held liable for damages caused by improper care, installation techniques, modifications, physical force or other abuse and does NOT cover any related labor charges, removal and reinstallation expense, freight or postage.

STEP 7: INSERT THE WETSPA SPLASH PANEL

CAUTION! Handle the top and bottom lip of the splash panel with extreme care. They are very fragile and will break if mishandled.

PLEASE REVIEW PICTURE AT RIGHT: The Splash Panel **MUST** be installed with the deeper angled plane at the bottom. Failure to correctly install the Splash Panel will result in serious installation problems.

1. Leaving the Splash Panel in the crate, remove the back cover from the Splash Panel and set aside.
2. Lift the Splash Panel out of the crate and place it face side up on two padded saw horses.
3. Attach suction cups to the face of the Splash Panel to facilitate lifting and carrying.
4. Lift the Splash Panel off the padded saw horses. Correctly positioned with the deeper angled part of the panel at the bottom, center it between the side panels of glass on the Splash Panel side of the WetSpa. Lift the top rim slightly, align the top of the lip of the splash panel with the rim.
5. Set the top rim into the top lip of the splash panel.
6. Keeping the Splash Panel completely vertical lower the bottom lip carefully into the into the perimeter glass channel of the floor system.
7. Do **NOT** re-attach the back cover of the splash panel until directed to do so.



STEP 8: TRUE UP THE GLASS AND PREPARE FOR SEALING

1. From the interior side of the WetSpa, insert wood shims (not provided) at 2ft intervals, where the middle panels of glass meet the side panels, in order to evenly space the seams.
2. Insert wood shims between the face of the interior of the pieces of glass and the perimeter glass channel of the floor system.
3. Insert wood shims along the interior and exterior of the rim and glass panels as needed.
4. Run diagonal lengths of blue painter's tape across the interior and exterior face of the panels to temporarily hold them in place.
5. Check the vertical and horizontal alignment of all of the panels and make any necessary adjustments to ensure that the unit is square and true.

CAUTION!

Handle the top and bottom lip of the splash panel with extreme care. They are very fragile and will break if mishandled.

STEP 9: SILICONE THE SEAMS

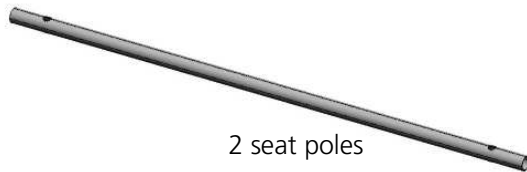
1. Remove the wood shims on either side of the Splash Panel and apply a bead of silicone.
2. Remove the interior diagonal lengths of painter's tape and wood shims from the seat side of the unit and apply a 1/16" bead of silicone down the interior seams of the middle panel of glass.
3. Remove the interior diagonal lengths of painter's tape and wood shims from the shelf side of the unit and apply a 1/16" bead of silicone down the interior seams of the middle panel of glass.
4. Remove the wood shims inside the WetSpa around the top perimeter where the glass panels and splash panel have been inserted into the top rim and apply a bead of silicone.
5. Remove the wood shims inside the WetSpa around the bottom perimeter when the glass panels and splash panel have been inserted into the channel of the floor system and apply a bead of silicone.

THIS SPACE INTENTIONALLY LEFT BLANK

WARNING!

Sculptured Homes will NOT replace the components of the WetSpa nor be held liable for damages caused by improper care, installation techniques, modifications, physical force or other abuse and does NOT cover any related labor charges, removal and reinstallation expense, freight or postage.

SIMPLIFY 4x6 STAND ALONE SEAT HARDWARE (refer to p 23 when installing against a wall)

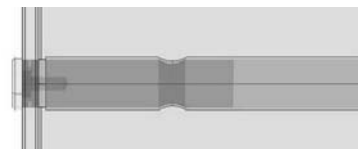
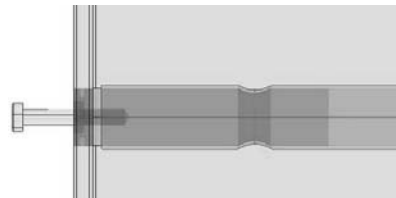


Each seat pole has two 5/8" through holes for the seat bolts.



STEP 10: ATTACH THE SEAT POLES TO THE GLASS PANELS

1. Put the o-rings onto the four (4) rods.
2. Insert the rods into the back pole, o-ring side out. Lubricate the o-rings and the holes in the glass with a couple of drops of mild dish soap.
3. Align the back pole with the back holes in the side panels of the glass.
4. Using the machine bolt provided, screw the bolt into the end of the rod and pull the rod out, just enough for the o-ring to set in the middle of the pane and to align the 5/8" holes of the pole with the 5/8" holes in the rods.
5. Unscrew the machine bolt from the rod.
6. Repeat 3 - 5 for the opposite end of the pole.
7. Using a 3mm (7/64") hex key, screw in the chrome caps on the outside of the glass at both ends to secure the pole.
8. Insert the rods into the front pole, o-ring side out. Lubricate the o-rings and the holes in the glass with a couple of drops of mild dish soap.
9. Align the front pole with the front holes in the side panels of the glass.
10. Repeat 4 - 7 above.



IMPORTANT:

When pulling the rods through the glass, be sure that the respective holes align as instructed. The face of the rod will end up flush with the exterior face of the glass and the o-ring will end up set in the middle of the pane.

SIMPLIFY 4x6 SEAT HARDWARE



4 cups



4 hex bolts



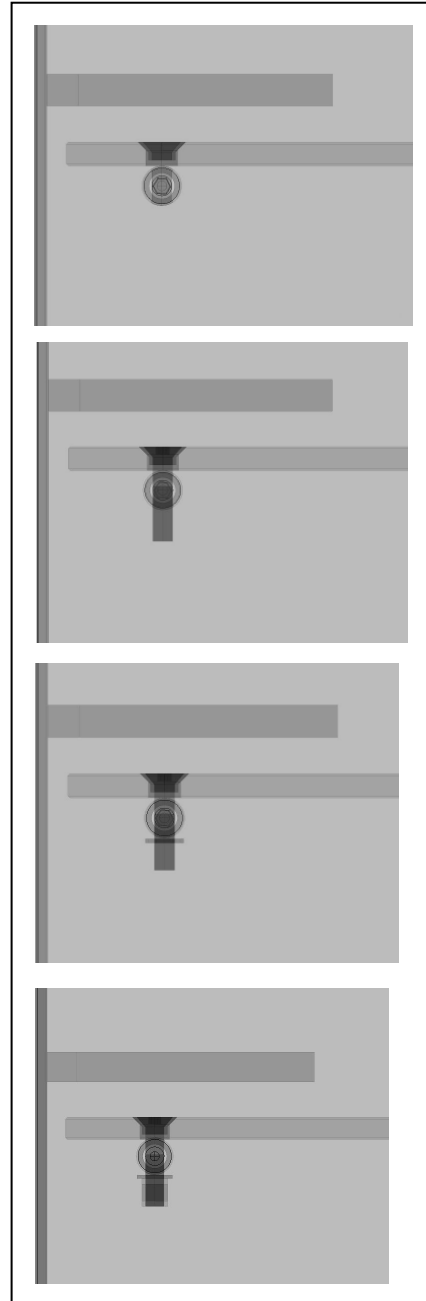
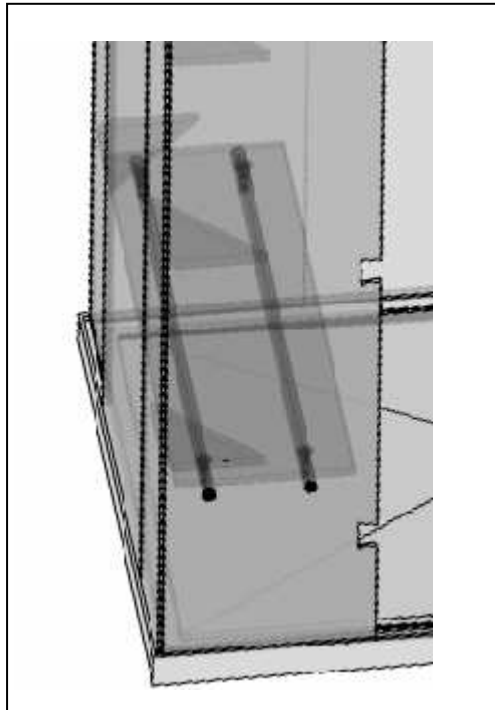
4 flat washers



4 hex nuts

STEP 11: ATTACH THE SEAT TO THE POLES

1. Using two suction cups, lift the seat and carefully set it on top of the poles; matching the countersink holes to the holes in the back and front poles.
2. Place the cups into the countersink holes.
3. Insert the bolt.
4. Put the metal washer onto the underside of the bolt.
5. Place the nylon core hex nut onto the underside of the bolt (taper side downward).
6. Insert the 3/8" hex key into the head of the bolt.
7. Using a wrench, hold the nut in place and tighten down the bolt with the 3/8" HEX KEY (provided). DO NOT over-tighten and be careful not to mar the finish of the hardware.
8. Insert the remaining bolts and repeat 4 – 7.



IMPORTANT:

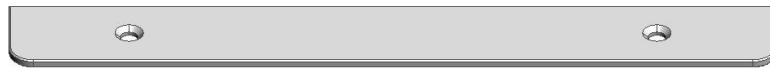
The bolts should be securely fastened, but not over-tightened. Be careful not to mar the finish of the hardware.

SIMPLIFY 4x6 STAND ALONE SHELF AND HARDWARE

(refer to p24 when installing against a wall)



2 swivel hinges



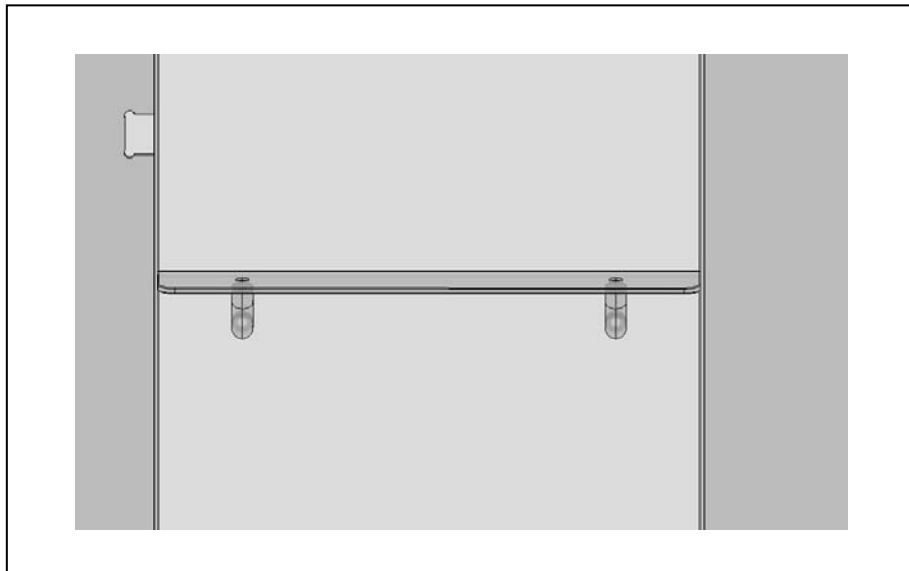
32" x 4" shelf



2 chrome caps

STEP 12: INSTALL THE SHELF

1. Using a 3mm (7/64") hex key, screw the chrome cap through the hole in the 84" x 32" MIDDLE PANEL (W/SHELF HOLES) and into the BOTTOM of the swivel hinge.
2. Repeat for the second hinge.
3. Insert the cup into the countersink hole in the 32" x 4" SHELF.
4. Tighten the screw into the top hinge using a 5mm (3/16") hex key.
5. Repeat for the second hinge.
6. Adjust the swivel hinges to set the shelf flush against the 84" x 32" MIDDLE PANEL (W/SHELF HOLES) and tighten with the hex key.



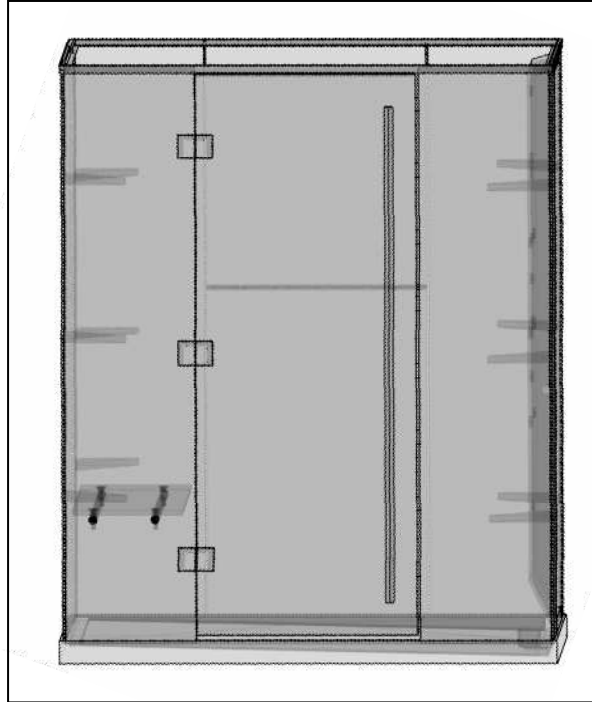
WARNING!

Sculptured Homes will NOT replace the components of the WetSpa nor be held liable for damages caused by improper care, installation techniques, modifications, physical force or other abuse and does NOT cover any related labor charges, removal and reinstallation expense, freight or postage.

STEP 13: INSTALL THE DOOR HINGES

1. Peel off 8" of the protective plastic from both sides of hinge side of the door.
2. Clean the hinge area (face & edges) with denatured alcohol.
3. Place the black gaskets (provided) onto the inside and outside of the three glass cut-outs on the 81 5/8" x 32" STANDARD DOOR.
4. Attach the three hinges to the three cut-outs on the 32" door.
5. Using a spirit level, check that the hinges are level.
6. Hand tighten. DO NOT use power tools.

CAUTION! DO NOT substitute gaskets. 3/8" (10mm) black gaskets, specifically for 3/8" tempered glass, are supplied with the hinge.



STEP 14: HANG THE GLASS DOOR

1. Clean the hinge areas (face & edges) of the 84" x 19" PANEL (SEAT END CORNER W/HINGE) with denatured alcohol.
2. Place the black gaskets (provided) onto the inside and outside of the three glass cut-outs on the panel.
3. Remove the faces of the door hinges that will be attached to the 84" x 19" PANEL (SEAT END CORNER W/HINGE) .
4. Using the suction cups, lift the door and set the hinges in place.
5. Attach the cover plates.
6. Using a spirit level; check that the hinges are level.
7. Hand tighten the cover plates. DO NOT use power tools.
8. Install the door handles.
9. Install one clear pad onto the top right corner of the face of the door stop attached to the rim. Leave remaining pads with the owner.



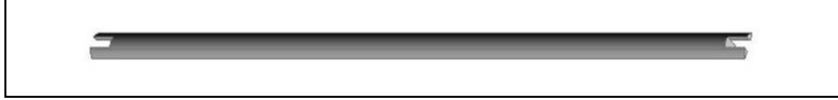
clear pad

IMPORTANT:

The Glass Door is hung with 3 hinges. Both the 84" x 19" PANEL (SEAT END CORNER W/HINGE) and the 81 5/8" x 32" STANDARD DOOR have been pre-cut at the factory. DO NOT substitute gaskets. The 3/8" (10mm) black gaskets, specifically for 3/8" tempered glass, are supplied with the hinges.

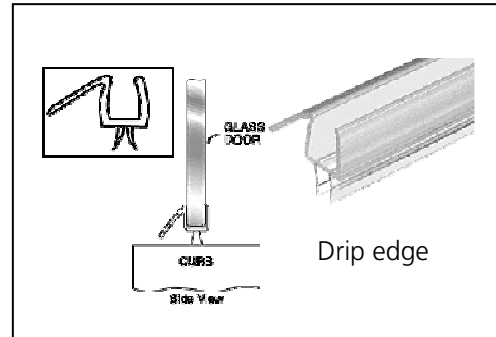
STEP 15: INSTALL THE DOOR THRESHOLD

1. Run a bead of silicone into the empty perimeter glass channel at the doorway.
2. Set the threshold into the channel.
3. Run a bead of silicone where the glass is in the cut out portion of the threshold.

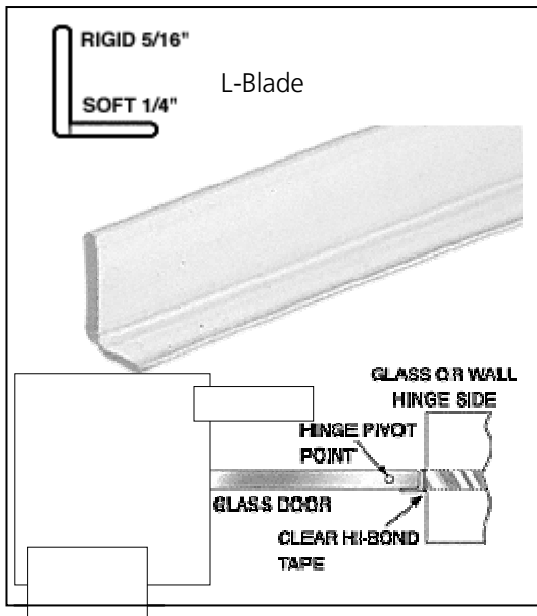
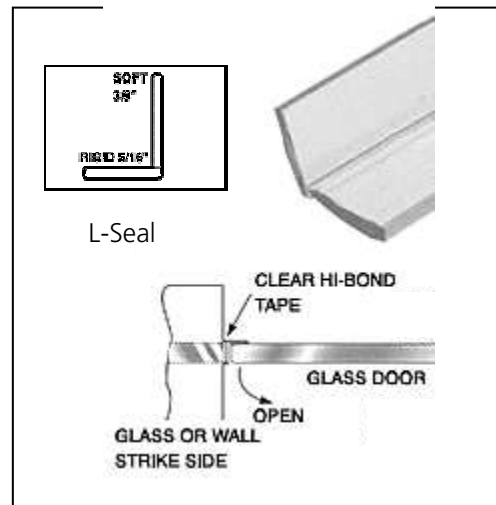


STEP 16: ATTACH THE TRANSLUCENT SEALS

1. Install the drip edge onto the bottom of the door.



2. Using clear, high-bond double sided tape, cut to length and apply the vinyl edge L-Seal along the left edge of the 84" x 19" PANEL (SPLASH END CORNER).



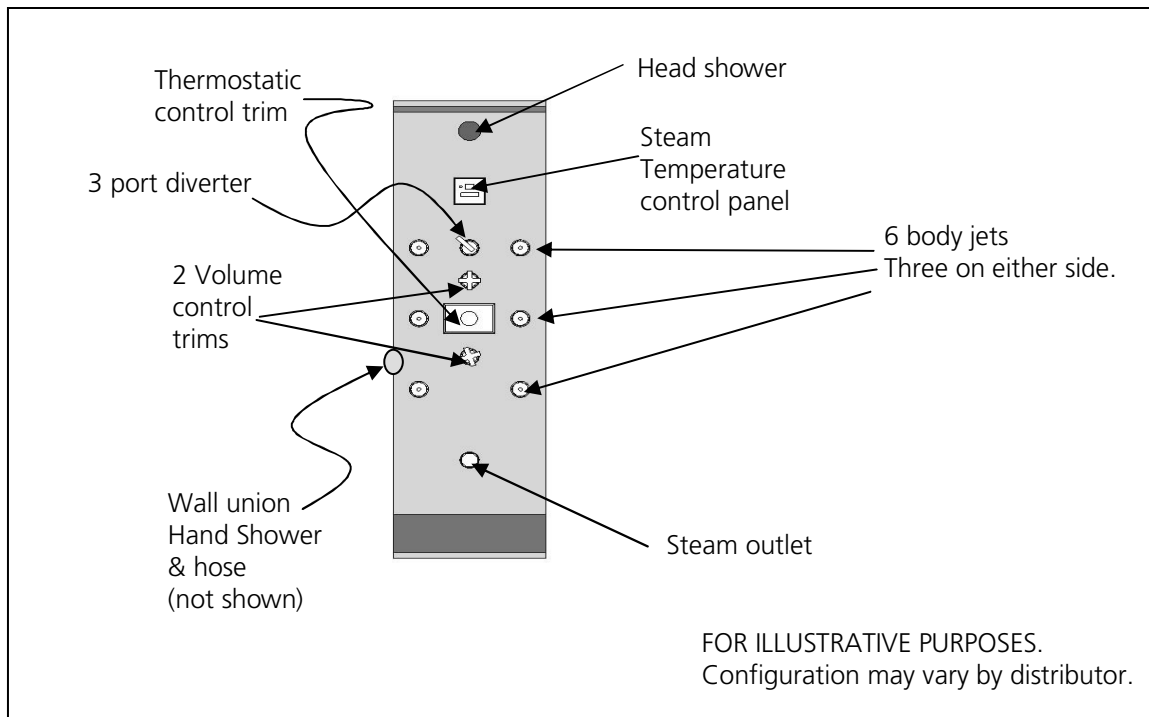
3. Using clear, high-bond double sided tape, cut to length and apply the vinyl edge L-Blade along the right edge of the 84" x 19" PANEL (SEAT END CORNER W/HINGE).

IMPORTANT:

It is important to apply the translucent seals as directed so that the steam generator will operate at its best performance and deliver a consistent temperature-controlled steam bath.

STEP 17: INSTALL THE FIXTURES AND FITTINGS

1. Follow the fixture & steam manufacturer's installation instructions and attach the components accordingly. **NOTE:** Your configuration may vary from the one illustrated below:



STEP 18: INSTALL THE LIGHTBOX

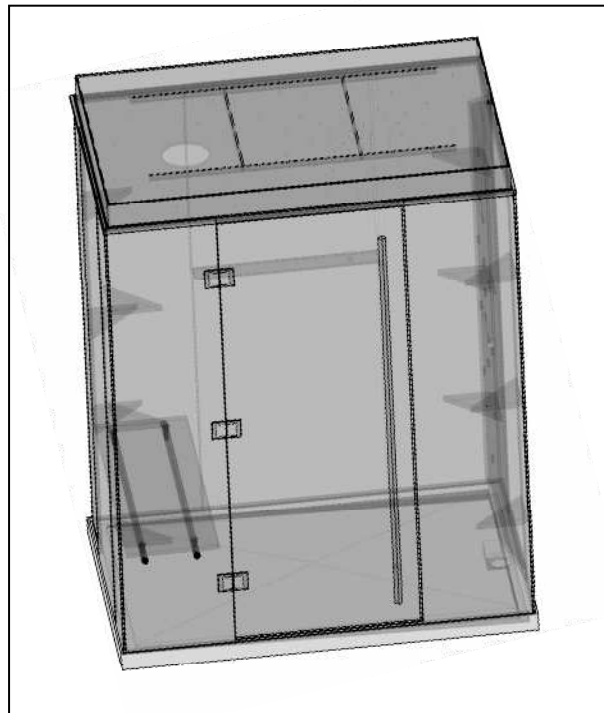
CAUTION!

The lightbox can be very heavy depending upon the configuration.

- Run a bead of silicone along the top perimeter inset of the rim.
- CAREFULLY lift the lightbox out of the container and place it in the inset of the top rim with the SPEAKER SIDE OVER THE SEAT.
- Run the cables down through the back of the splash panel.
- Continue the run under the floor / through the walls to get to the location of the fiber optic illuminator and the audio network / sound system.

PLEASE NOTE:

Some models include a rainhead or ceiling water feature. Attach the feed pipes to the plumbing manifold as instructed.



IMPORTANT:

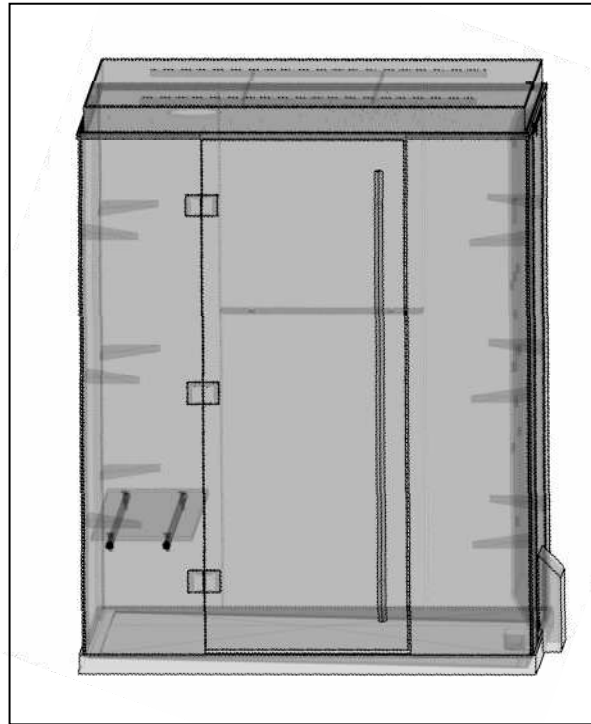
Consult the steam & fixture literature for additional warnings, cautions, installation instructions and care and maintenance instructions that relate to components sourced from these manufacturers. Improper installation, care or maintenance may void one or more warranties.

STEP 18: HOOK-UP ALL COMPONENTS

1. Install the steam generator and make all attachments (refer to steam manufacturer's Installation Instructions.)
2. Hook up the hot and cold water feeds to the hot and cold pipes coming out of the WetSpa splash panel.
3. Attach the fiber optic cable to the illuminator.
4. Attach the stereo speaker wire to the audio network / sound system:
Channel 1: Red (+) Black (-). Channel 2: White (+) Green (-)
5. Test all components.

STEP 19: CLOSE UP THE BACK OF THE SPLASH PANEL

1. Place the back cover of the Splash Panel onto the back of the Splash Panel.
2. Attach the cover with the square stainless steel screws (provided) using a 1/8" square screwdriver.
3. Attach the pipe cover clips.
4. Attach the pipe cover to the back cover of the Splash Panel.

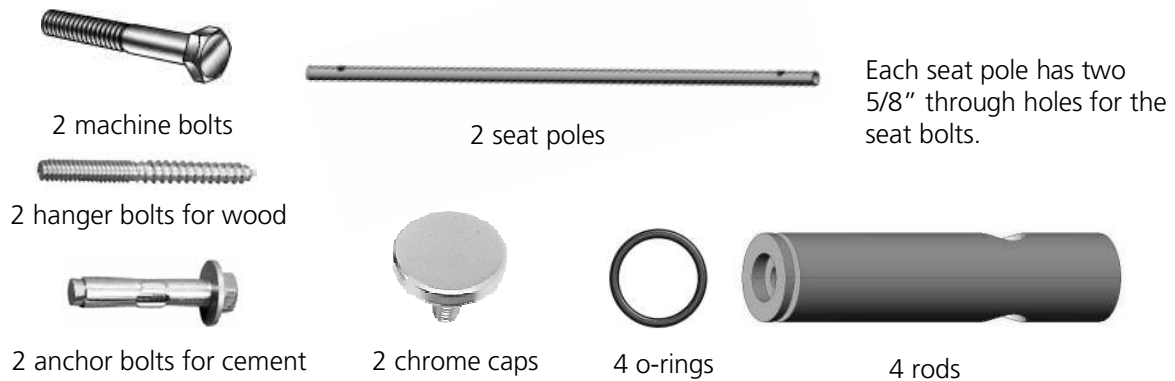


STEP 20: CLEAN-UP THE WETSPA AND PREPARE FOR USE

1. Remove the plywood triangles and painter's tape.
2. Clean up any residual hot glue and sealant.
3. Place a few drops of dish soap in a bucket of warm water and apply to the inside and outside of the unit. Do not rinse/dry off.
4. Squeegee the outside of the unit.
5. Steam up the inside of the unit.
6. Turn off the steam and squeegee the inside of the unit while still filled with steam.
7. Clean the surface areas of the splash panel, fixtures and trim thoroughly.
8. Apply a Transparent Polymer Coating (TPC) Surface Protector to the glass if desired.

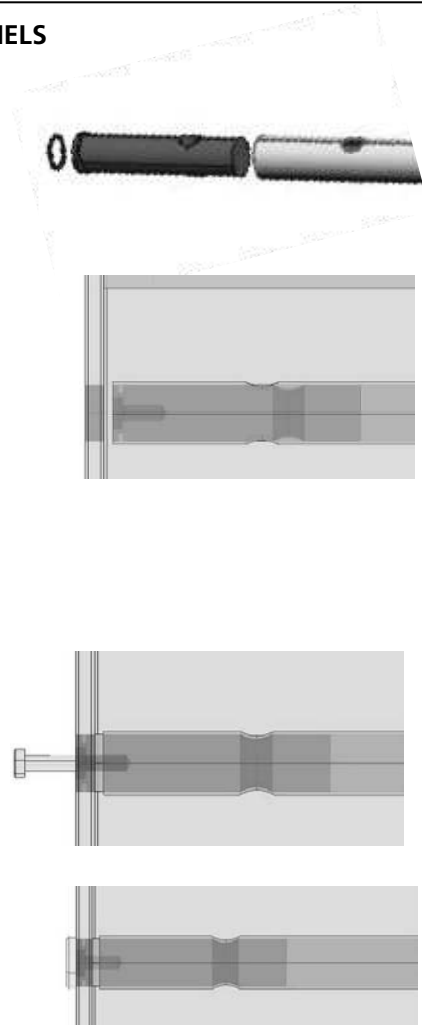
WELCOME to the WetSpa by Sculptured Homes. You have chosen a luxurious patented product that has been manufactured with quality materials and trusted workmanship.

SIMPLIFY 4x6 SEAT HARDWARE FOR INSTALLATION AGAINST A WALL



STEP 10: ATTACH THE SEAT POLES TO THE GLASS PANELS

1. Put the o-rings onto the four (4) rods.
2. Insert the black rods into the ends of the seat poles, o-ring side out.
3. Insert the seat bolts (see page 17) into the 5/8" through hole and secure with the hex nuts (this will prevent the rod from moving in the pole).
4. Choose either the hanger or anchor bolt and drill the appropriate pilot hole on center through the glass holes into the wall.
5. Lubricate the o-ring and the hole in the glass with a couple of drops of mild dish soap.
6. Insert the bolt into the pilot hole, screw the rod onto the bolt until the o-ring sits in the middle of the pane of glass.
7. Align the back pole with the back hole in the side panel of the glass (door side).
8. Using the machine bolt provided, screw the bolt into the end of the rod and pull the rod out, just enough for the o-ring to set in the middle of the pane.
9. Using a 3mm (7/64") hex key, screw in the chrome cap on the outside of the glass to secure the poles.
10. Remove the seat bolt and nut from the wall side poles.
11. Repeat 5-10 for the front seat pole.
12. Follow the remaining steps on p17 for installing the seat.



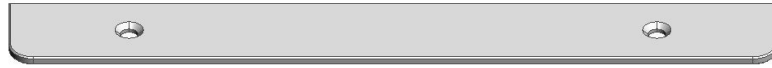
IMPORTANT:

When pulling the rods through the glass, be sure that the respective holes align as instructed. The face of the rod will end up flush with the exterior face of the glass and the o-ring will end up set in the middle of the pane.

SIMPLIFY 4x6 SHELF AND HARDWARE FOR INSTALLATION AGAINST A WALL



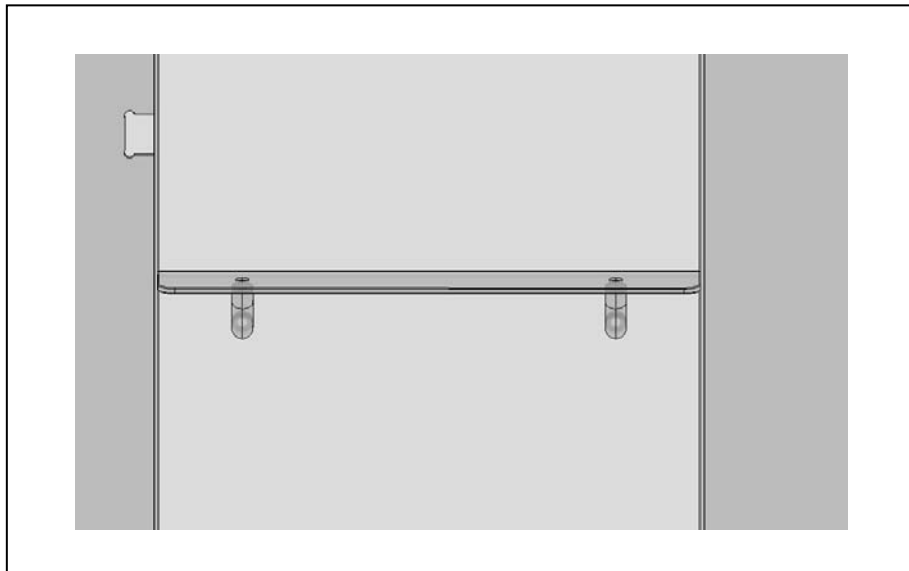
2 glass to wall
swivel hinges



32" x 4" shelf

STEP 12: INSTALL THE SHELF

1. Drill a pilot hole on center through the hole in the glass and into the wall behind the glass).
2. Slip the anchor screw (provided) through the hole in the BOTTOM piece of the swivel hinge and screw the anchor into the pilot hole.
3. Repeat for the second hinge.
4. Attach the body of the swivel hinge to the BOTTOM piece of the swivel hinge.
5. Repeat for the second hinge.
6. Insert the cup into the countersink hole in the 32" x 4" SHELF.
7. Tighten the screw into the top hinge using a 5mm (3/16") hex key.
8. Repeat for the second hinge.
9. Adjust the swivel hinges to set the shelf flush against the 84" x 32" MIDDLE PANEL (W/SHELF HOLES) and tighten with the hex key.



WARNING!

Sculptured Homes will NOT replace the components of the WetSpa nor be held liable for damages caused by improper care, installation techniques, modifications, physical force or other abuse and does NOT cover any related labor charges, removal and reinstallation expense, freight or postage.